

**GD5F1GQ5UEYIGR-MT**

**DATASHEET**

**(CASN Page Supported)**

## Contents

|          |  |           |
|----------|--|-----------|
| <b>1</b> | <b>FEATURE</b> .....                     | <b>4</b>  |
| <b>2</b> | <b>GENERAL DESCRIPTION</b> .....         | <b>5</b>  |
| 2.1      | VALID PART NUMBERS .....                 | 6         |
| 2.2      | CONNECTION DIAGRAM .....                 | 7         |
| 2.3      | PIN DESCRIPTION.....                     | 8         |
| 2.4      | BLOCK DIAGRAM .....                      | 8         |
| <b>3</b> | <b>MEMORY MAPPING</b> .....              | <b>9</b>  |
| <b>4</b> | <b>ARRAY ORGANIZATION</b> .....          | <b>10</b> |
| <b>5</b> | <b>DEVICE OPERATION</b> .....            | <b>11</b> |
| 5.1      | SPI MODES.....                           | 11        |
| 5.2      | HOLD MODE.....                           | 12        |
| 5.3      | WRITE PROTECTION.....                    | 12        |
| 5.4      | POWER OFF TIMING .....                   | 13        |
| <b>6</b> | <b>COMMANDS DESCRIPTION</b> .....        | <b>14</b> |
| <b>7</b> | <b>WRITE OPERATIONS</b> .....            | <b>16</b> |
| 7.1      | WRITE ENABLE (WREN) (06H) .....          | 16        |
| 7.2      | WRITE DISABLE (WRDI) (04H).....          | 16        |
| <b>8</b> | <b>READ OPERATIONS</b> .....             | <b>17</b> |
| 8.1      | PAGE READ .....                          | 17        |
| 8.2      | PAGE READ TO CACHE (13H) .....           | 18        |
| 8.3      | READ FROM CACHE (03H OR 0BH).....        | 19        |
| 8.4      | READ FROM CACHE x2 (3BH) .....           | 20        |
| 8.5      | READ FROM CACHE x4 (6BH) .....           | 21        |
| 8.6      | READ FROM CACHE DUAL IO (BBH) .....      | 22        |
| 8.7      | READ FROM CACHE QUAD IO (EBH).....       | 23        |
| 8.8      | READ FROM CACHE QUAD I/O DTR (EEH) ..... | 24        |
| 8.9      | READ ID (9FH).....                       | 25        |
| 8.10     | READ UID .....                           | 26        |
| 8.11     | READ PARAMETER PAGE.....                 | 27        |
| 8.12     | READ CASN PAGE .....                     | 32        |
| <b>9</b> | <b>PROGRAM OPERATIONS</b> .....          | <b>42</b> |
| 9.1      | PAGE PROGRAM .....                       | 42        |
| 9.2      | PROGRAM LOAD (PL) (02H).....             | 43        |
| 9.3      | PROGRAM LOAD x4 (PL x4) (32H) .....      | 44        |
| 9.4      | PROGRAM EXECUTE (PE) (10H) .....         | 45        |
| 9.5      | INTERNAL DATA MOVE .....                 | 46        |
| 9.6      | PROGRAM LOAD RANDOM DATA (84H) .....     | 47        |



---

|           |   |           |
|-----------|---|-----------|
| 9.7       | PROGRAM LOAD RANDOM DATA X4 (C4H/34H).....                | 48        |
| <b>10</b> | <b>ERASE OPERATIONS .....</b>                             | <b>49</b> |
| 10.1      | BLOCK ERASE (D8H) .....                                   | 49        |
| <b>11</b> | <b>RESET OPERATIONS.....</b>                              | <b>50</b> |
| 11.1      | SOFT RESET (FFH) .....                                    | 50        |
| 11.2      | ENABLE POWER ON RESET (66H) AND POWER ON RESET (99H)..... | 51        |
| <b>12</b> | <b>FEATURE OPERATIONS.....</b>                            | <b>52</b> |
| 12.1      | GET FEATURES (0FH) AND SET FEATURES (1FH) .....           | 52        |
| 12.2      | STATUS REGISTER AND DRIVER REGISTER.....                  | 56        |
| 12.3      | OTP REGION.....   | 57        |
| 12.4      | ASSISTANT BAD BLOCK MANAGEMENT .....                      | 58        |
| 12.5      | BLOCK PROTECTION .....                                    | 59        |
| 12.6      | POWER LOCK DOWN PROTECTION.....                           | 60        |
| 12.7      | INTERNAL ECC.....   | 61        |
| <b>13</b> | <b>POWER ON TIMING .....</b>                              | <b>63</b> |
| <b>14</b> | <b>ABSOLUTE MAXIMUM RATINGS .....</b>                     | <b>64</b> |
| <b>15</b> | <b>CAPACITANCE MEASUREMENT CONDITIONS.....</b>            | <b>65</b> |
| <b>16</b> | <b>DC CHARACTERISTIC .....</b>                            | <b>66</b> |
| <b>17</b> | <b>AC CHARACTERISTICS.....</b>                            | <b>67</b> |
| <b>18</b> | <b>PERFORMANCE AND TIMING .....</b>                       | <b>68</b> |
| <b>19</b> | <b>ORDERING INFORMATION .....</b>                         | <b>70</b> |
| <b>20</b> | <b>PACKAGE INFORMATION .....</b>                          | <b>71</b> |
| <b>21</b> | <b>REVISION HISTORY.....</b>                              | <b>72</b> |

# 1 FEATURE

- ◆ 1Gb SLC NAND Flash
- ◆ Organization
  - Internal ECC On (ECC\_EN=1, default):  
Page Size: 2048-Byte+64-Byte
  - Internal ECC Off (ECC\_EN=0):  
Page Size: 2048-Byte+128-Byte
- ◆ Standard, Dual, Quad SPI, DTR
  - Standard SPI: SCLK, CS#, SI, SO, WP#, HOLD#
  - Dual SPI: SCLK, CS#, SIO0, SIO1, WP#, HOLD#
  - Quad SPI: SCLK, CS#, SIO0, SIO1, SIO2, SIO3
  - DTR(Double Transfer Rate) Read : SCLK, CS#, SIO0, SIO1, SIO2, SIO3
- ◆ High Speed Clock Frequency
  - 3.3V: 133MHz for fast read with 30pF load
  - 3.3V: Quad I/O Data transfer up to 532 Mbits/s
- ◆ Software/Hardware Write Protection
  - Write protect all/portion of memory via software
  - Register protection with WP# Pin
  - Power Lock Down Protection
- ◆ Single Power Supply Voltage
  - Full voltage range for 3.3V: 2.7V ~ 3.6V
- ◆ Advanced security Features
  - 8K-Byte OTP Region
- ◆ Program/Erase/Read Speed
  - Page Program time: 400us typical
  - Block Erase time: 3ms typical
  - Page read time: 60us maximum
- ◆ Low Power Consumption
  - 30mA maximum active current
  - 50uA maximum standby current
- ◆ Enhanced access performance
  - 2Kbyte cache for fast random read
- ◆ Advanced Feature for NAND
  - Factory good block0
- ◆ Reliability
  - P/E cycles with ECC: 100K
  - Data retention: 10 Years
- ◆ Internal ECC
  - 4bits /528byte

Note: (1) ECC is on default, which can be disable by user.

## 2 GENERAL DESCRIPTION

SPI (Serial Peripheral Interface) NAND Flash provides an ultra-cost effective while high density non-volatile memory storage solution for embedded systems, based on an industry-standard NAND Flash memory core. It is an attractive alternative to SPI-NOR and standard parallel NAND Flash, with advanced features.

- Total pin count is 8, including VCC and GND
- Density is 1Gb
- Superior write performance and cost per bit over SPI-NOR
- Significant low cost than parallel NAND

This low-pin-count NAND Flash memory follows the industry-standard serial peripheral interface, and always remains the same pin out from one density to another. The command sets resemble common SPI-NOR command sets, modified to handle NAND specific functions and added new features. GigaDevice SPI NAND is an easy-to-integrate NAND Flash memory, with specified designed features to ease host management:

- **User-selectable internal ECC.** ECC parity is generated internally during a page program operation. When a page is read to the cache register, the ECC parity is detected and corrects the errors when necessary. The 64-bytes spare area is available even when internal ECC enabled. The device outputs corrected data and returns an ECC error status.
- **Internal data move or copy back with internal ECC.** The device can be easily refreshed and manage garbage collection task, without need of shift in and out of data.
- **Power on Read with internal ECC.** The device will automatically read first page of first block to cache after power on, then host can directly read data from cache for easy boot. Also the data is promised correct by internal ECC when ECC enabled.

It is programmed and read in page-based operations, and erased in block-based operations. Data is transferred to or from the NAND Flash memory array, page by page, to a data register and a cache register. The cache register is closest to I/O control circuits and acts as a data buffer for the I/O data; the data register is closest to the memory array and acts as a data buffer for the NAND Flash memory array operation. The cache register functions as the buffer memory to enable page and random data READ/WRITE and copy back operations. These devices also use a SPI status register that reports the status of device operation.

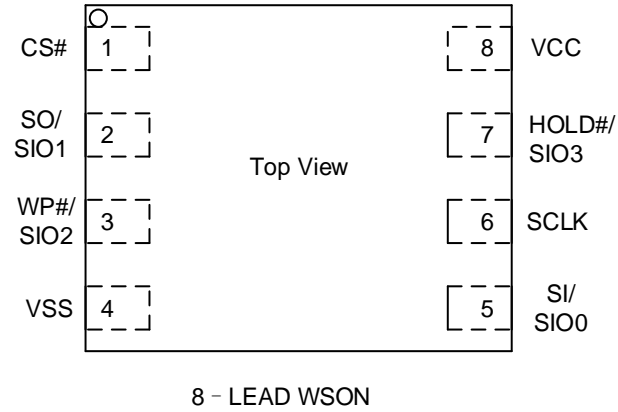
## 2.1 VALID PART NUMBERS

Please contact GigaDevice regional sales for the latest product selection and available form factors

| Product Number    | Density | Voltage      | Package Type | Temperature   |
|-------------------|---------|--------------|--------------|---------------|
| GD5F1GQ5UEYIGR-MT | 1Gbit   | 2.7V to 3.6V | WSON8(8*6mm) | -40°C to 85°C |

## 2.2 CONNECTION DIAGRAM

Figure 2-1. Connect Diagram



## 2.3 PIN DESCRIPTION

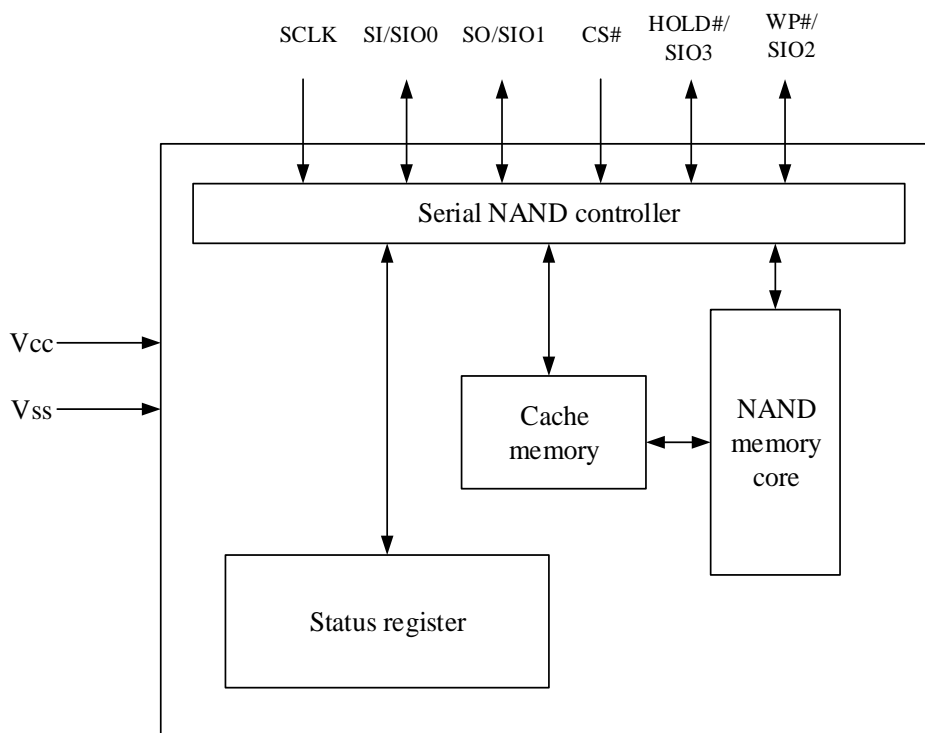
| Pin Name          | I/O           | Description   |
|-------------------|---------------|---|
| <b>CS#</b>        | <b>I</b>      | Chip Select input, active low                                   |
| <b>SO/SIO1</b>    | <b>I/O</b>    | Serial Data Output / Serial Data Input Output 1                 |
| <b>WP#/SIO2</b>   | <b>I/O</b>    | Write Protect, active low / Serial Data Input Output 2          |
| <b>VSS</b>        | <b>Ground</b> | Ground  |
| <b>SI/SIO0</b>    | <b>I/O</b>    | Serial Data Input / Serial Data Input Output 0                  |
| <b>SCLK</b>       | <b>I</b>      | Serial Clock input  |
| <b>HOLD#/SIO3</b> | <b>I/O</b>    | Hold Input/Serial Data Input Output 3                           |
| <b>VCC</b>        | <b>Supply</b> | Power Supply  |
| <b>NC</b>         |               | Not Connect, Not internal connection; can be driven or floated. |

Note:

1. CS# must be driven high if chip is not selected. Please don't leave CS# floating any time after power is on.

## 2.4 BLOCK DIAGRAM

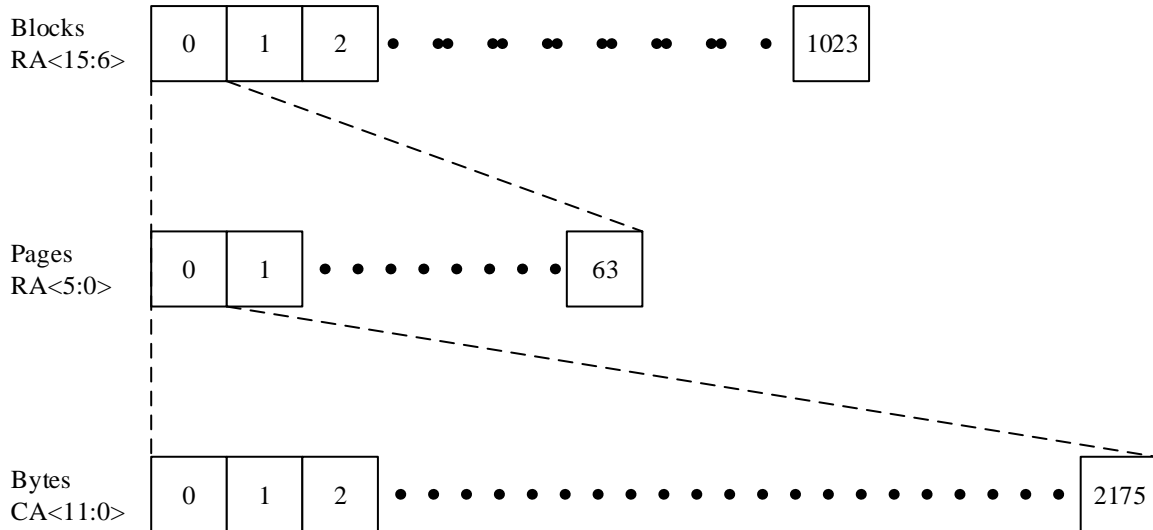
**Figure 2-2. Block Diagram**





### 3 MEMORY MAPPING

For 1G



Note:

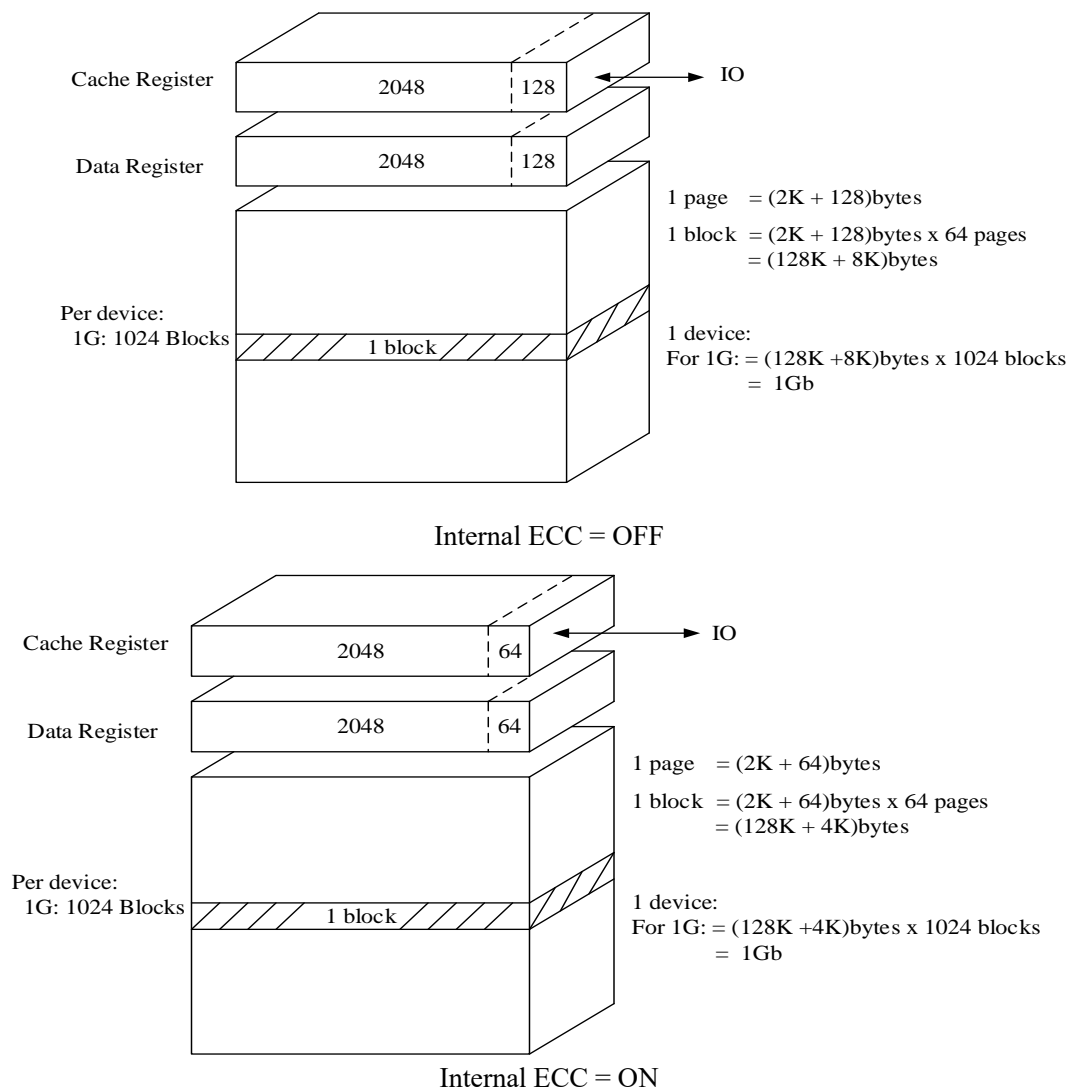
1. CA: Column Address. The 12-bit address is capable of addressing from 0 to 4095 bytes; however, only bytes 0 through 2175 are valid. Bytes 2176 through 4095 of each page are “out of bounds,” do not exist in the device, and cannot be addressed.
2. RA: Row Address. RA<5:0>selects a page inside a block, and RA<15:6>selects a block.

# 4 ARRAY ORGANIZATION

Table 3. Array Organization

| Each device has | Each block has | Each page has |        |
|-----------------|----------------|---------------|--------|
| <b>1Gb</b>      |                |               |        |
| 128M+8M         | 128K+8K        | 2K+128        | bytes  |
| 1024 x 64       | 64             | -             | pages  |
| 1024            | -              | -             | blocks |

Figure 3. Array Organization



Note:

1. When Internal ECC is enabled, user can program the first 64 bytes of the entire 128 bytes spare area and the last 64 bytes of the whole spare area cannot be programmed, user can read the entire 128 Byte spare area.
2. When Internal ECC is disabled, user can read and program the entire 128 bytes spare area.

## 5 DEVICE OPERATION

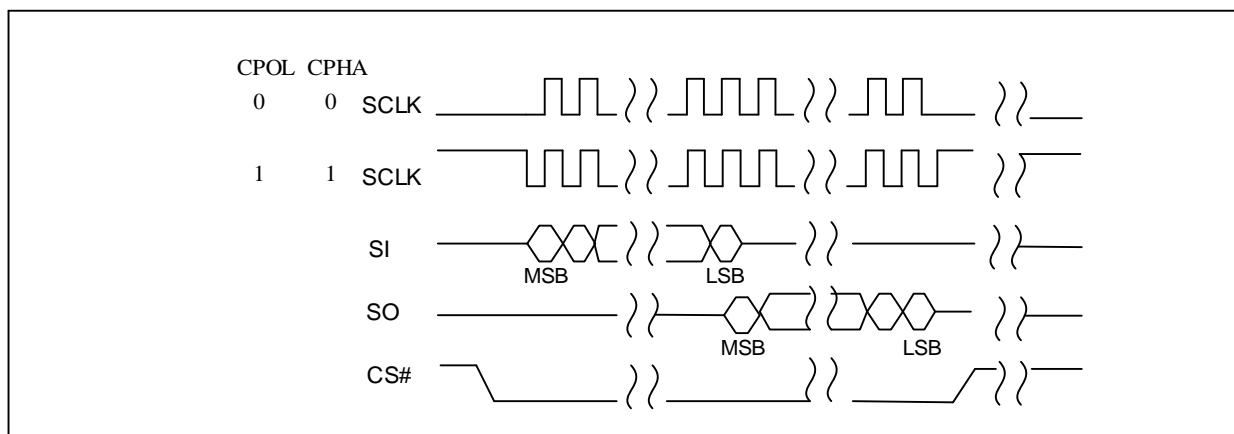
### 5.1 SPI Modes

SPI NAND supports two SPI modes:

- CPOL = 0, CPHA = 0 (Mode 0)
- CPOL = 1, CPHA = 1 (Mode 3)

Input data is latched on the rising edge of SCLK and data shifts out on the falling edge of SCLK for both modes. All timing diagrams shown in this data sheet are mode 0. See Figure 5-1 for more details.

**Figure 5-1. SPI Modes Sequence Diagram**



Note: While CS# is HIGH, keep SCLK at VCC or GND (determined by mode 0 or mode 3). Do not toggle SCLK until CS# is driven LOW.

We recommend that the user pull CS# to high when user don't use SPI flash, otherwise the flash is always in the read state, which is damage for flash.

When CS# is high and SCLK at VCC or GND state, the device is in idle state.

#### Standard SPI

SPI NAND Flash features a standard serial peripheral interface on 4 signals bus: Serial Clock (SCLK), Chip Select (CS#), Serial Data Input (SI) and Serial Data Output (SO).

#### Dual SPI

SPI NAND Flash supports Dual SPI operation when using the x2 and dual IO commands. These commands allow data to be transferred to or from the device at two times the rate of the standard SPI. When using the Dual SPI command the SI and SO pins become bidirectional I/O pins: SIO0 and SIO1.

#### Quad SPI

SPI NAND Flash supports Quad SPI operation when using the x4 and Quad IO commands. These commands allow data to be transferred to or from the device at four times the rate of the standard SPI. When using the Quad SPI command the SI and SO pins become bidirectional I/O pins: SIO0 and SIO1, and WP# and HOLD# pins become SIO2 and SIO3.

### DTR Quad SPI

The device supports DTR Quad SPI operation when using the “DTR Quad I/O Fast Read” command.

These command allow data to be transferred to or from the device at eight times the rate of the standard SPI, and data output will be latched on both rising and falling edges of the serial clock. When using the DTR Quad SPI command the SI and SO pins become bidirectional I/O pins: IO0 and IO1, and WP# and HOLD# pins become IO2 and IO3. DTR Quad SPI commands require the Quad Enable bit (QE) in Status Register to be enable.

## 5.2 HOLD Mode

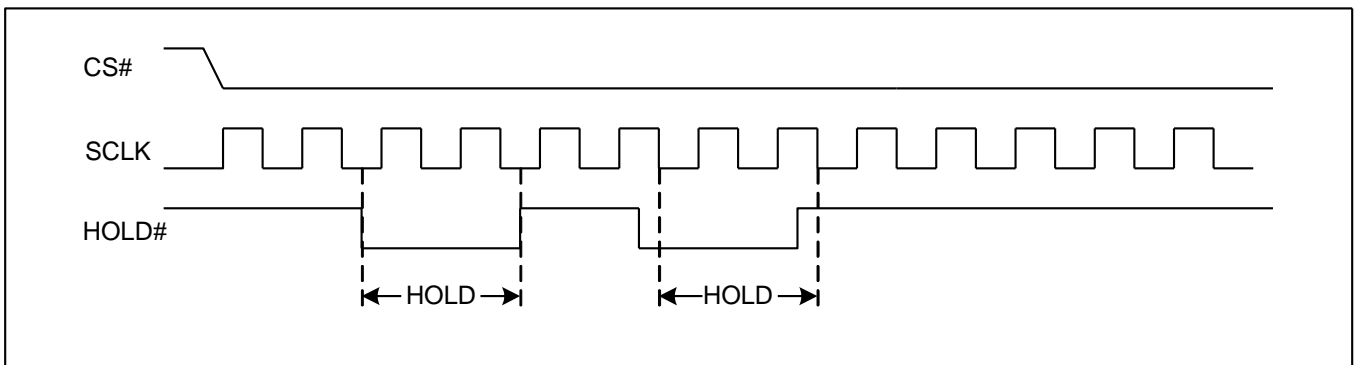
The HOLD# function is only available when QE=0, If QE=1, The HOLD# functions is disabled, the pin acts as dedicated data I/O pin.

The HOLD# signal goes low to stop any serial communications with the device, but doesn't stop the operation of reading, programming, or erasing in progress.

The operation of HOLD, need CS# keep low, and starts on falling edge of the HOLD# signal, with SCLK signal being low (if SCLK is not being low, HOLD operation will not start until SCLK being low). The HOLD condition ends on rising edge of HOLD# signal with SCLK being low (If SCLK is not being low, HOLD operation will not end until SCLK being low).

The SO is high impedance, both SI and SCLK don't care during the HOLD operation, if CS# drives high during HOLD operation, it will reset the internal logic of the device. To re-start communication with chip, the HOLD# must be at high and then CS# must be at low.

Figure 5-2. Hold Condition



## 5.3 Write Protection

SPI NAND provides Hardware Protection Mode besides the Software Mode. Write Protect (WP#) prevents the block lock bits (BP0, BP1, BP2 and INV, CMP) from being over written. If the BRWD bit is set to 1 and WP# is LOW, the block protect bits cannot be altered.

To enable the Write Protection, the Quad Enable bit (QE) of feature (B0[0]) must be set to 0.



## 5.4 Power Off Timing

Please do not turn off the power before Write/Erase operation is complete. Avoid using the device when the battery is low. Power shortage and/or power failure before Write/Erase operation is complete will cause loss of data and/or damage to data.

## 6 COMMANDS DESCRIPTION

**Table 6. Commands Set**

| Command Name                    | Byte1   | Byte2   | Byte3                | Byte4                  | Byte5                | Byte6                      | Byte 7 |
|---------------------------------|---------|---------|----------------------|------------------------|----------------------|----------------------------|--------|
| Write Enable                    | 06H     |         |                      |                        |                      |                            |        |
| Write Disable                   | 04H     |         |                      |                        |                      |                            |        |
| Get Features                    | 0FH     | A7-A0   | D7-D0                | Wrap <sup>(7)</sup>    |                      |                            |        |
| Set Feature                     | 1FH     | A7-A0   | D7-D0                |                        |                      |                            |        |
| Page Read (to cache)            | 13H     | A23-A16 | A15-A8               | A7-A0                  |                      |                            |        |
| Read From Cache                 | 03H/0BH | A15-A8  | A7-A0 <sup>(2)</sup> | Dummy <sup>(1)</sup>   | D7-D0                |                            |        |
| Read From Cache x 2             | 3BH     | A15-A8  | A7-A0 <sup>(2)</sup> | Dummy <sup>(1)</sup>   | D7-D0                |                            |        |
| Read From Cache x 4             | 6BH     | A15-A8  | A7-A0 <sup>(2)</sup> | Dummy <sup>(1)</sup>   | D7-D0                |                            |        |
| Read From Cache Dual IO         | BBH     | A15-A8  | A7-A0 <sup>(2)</sup> | Dummy <sup>(8)</sup>   | D7-D0                |                            |        |
| Read From Cache Quad IO         | EBH     | A15-A8  | A7-A0 <sup>(2)</sup> | Dummyx2 <sup>(8)</sup> | D7-D0                |                            |        |
| Read From Cache Quad I/O<br>DTR | EEH     | A31-A24 | A23-A16              | A15-A8                 | A7-A0 <sup>(2)</sup> | Dummy<br>x8 <sup>(1)</sup> | D7-D0  |
| Read ID <sup>(4)</sup>          | 9FH     | Dummy   | MID                  | DID                    |                      |                            |        |
| Read parameter page             | 13H     | 00H     | 00H                  | 04H                    |                      |                            |        |
| Read UID                        | 13H     | 00H     | 00H                  | 06H                    |                      |                            |        |
| Program Load                    | 02H     | A15-A8  | A7-A0 <sup>(3)</sup> | D7-D0                  | Next byte            |                            |        |
| Program Load x4                 | 32H     | A15-A8  | A7-A0 <sup>(3)</sup> | D7-D0                  | Next byte            |                            |        |
| Program Execute                 | 10H     | A23-A16 | A15-A8               | A7-A0                  |                      |                            |        |
| Program Load Random Data        | 84H     | A15-A8  | A7-A0 <sup>(3)</sup> | D7-D0                  | Next byte            |                            |        |
| Program Load Random Data x4     | C4H/34H | A15-A8  | A7-A0 <sup>(3)</sup> | D7-D0                  | Next byte            |                            |        |
| Block Erase(128K)               | D8H     | A23-A16 | A15-A8               | A7-A0                  |                      |                            |        |
| Reset <sup>(5)</sup>            | FFH     |         |                      |                        |                      |                            |        |
| Enable Power on Reset           | 66h     |         |                      |                        |                      |                            |        |
| Power on Reset <sup>(6)</sup>   | 99h     |         |                      |                        |                      |                            |        |



## Note:

1. The dummy has 8 clock.  
03H/0BH/3BH/6BH has 1 byte dummy.  
EEH has 8 bytes dummy.
2. The A15-A0 (03H/0BH/3BH/6BH) has 16 clock, include 4 clock dummy.  
The A15-A0 (BBH) has 8 clock, include 2 clock dummy.  
The A15-A0 (EBH) has 4 clock, include 1 clock dummy.  
The A31-A0 (EEH) has 4 clock, include 2.5 clock dummy.
3. The A15-A0 has 16 clock, include 4 clock dummy.
4. MID is Manufacture ID (C8h for GigaDevice), DID is Device ID.
5. Reset command:
  - Reset will reset PAGE READ/PROGRAM/ERASE operation.
  - Reset will reset status register bits P\_FAIL/E\_FAIL/WEL/OIP/ECCS/ECCSE.
6. Power on reset:  
Retrieve status register and data in cache to power on status.
7. The output would be updated by real-time, until CS# is driven high.
8. The dummy has 4 clock  
BBh has 1bytes dummy  
EBh has 2bytes dummy.

# 7 WRITE OPERATIONS

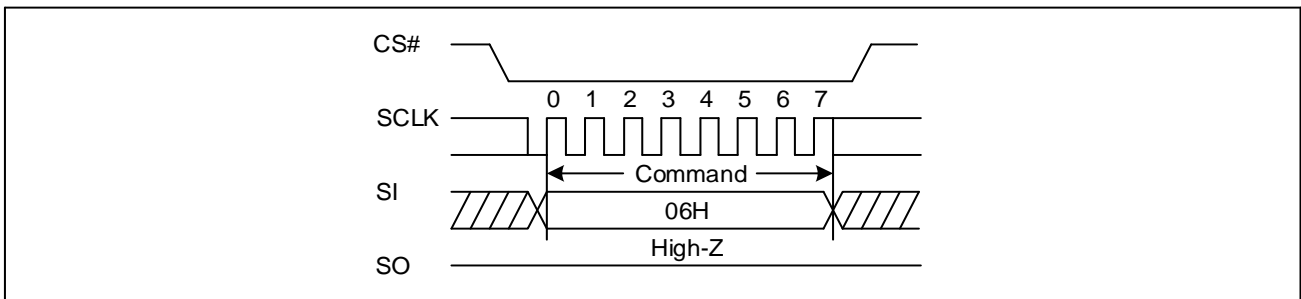
## 7.1 Write Enable (WREN) (06H)

The Write Enable (WREN) command is for setting the Write Enable Latch (WEL) bit. The Write Enable Latch (WEL) bit must be set prior to following operations that change the contents of the memory array:

- Page program
- OTP program/OTP protection
- Block erase

The WEL bit can be cleared after a reset command.

Figure 7-1. Write Enable Sequence Diagram

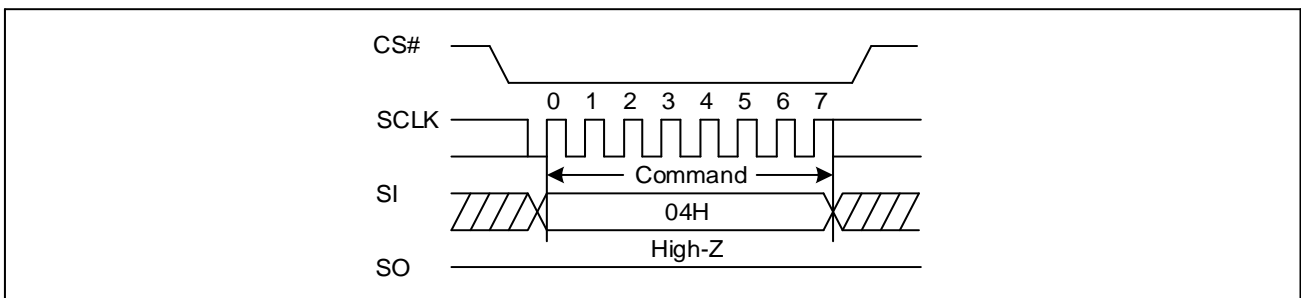


## 7.2 Write Disable (WRDI) (04H)

The Write Disable command is for resetting the Write Enable Latch (WEL) bit. The WEL bit is reset by following condition:

- Page program
- OTP program/OTP protection
- Block erase

Figure 7-2. Write Disable Sequence Diagram





## 8 READ OPERATIONS

### 8.1 Page Read

The PAGE READ (13H) command transfers the data from the NAND Flash array to the cache register. The command sequence is as follows:

- 13H (PAGE READ to cache)
- 0FH (GET FEATURES command to read the status)
- 03H or 0BH (Read from cache)/3BH (Read from cache x2)/6BH (Read from cache x4)/BBH (Read from cache dual IO)/EBH (Read from cache Quad IO)/EEH (Read from cache Quad IO DTR)

The PAGE READ command requires a 24-bit address. After the block/page addresses are registered, the device starts the transfer from the main array to the cache register, and is busy for tRD time. During this time, the GET FEATURE (0FH) command can be issued to monitor the status. Followed the page read operation, the RANDOM DATA READ (03H/0BH/3BH/6BH/BBH/EBH/EEH) command must be issued in order to read out the data from cache. When CS# is pulled high this operation will be terminated. Refer waveforms to view the entire READ operation.

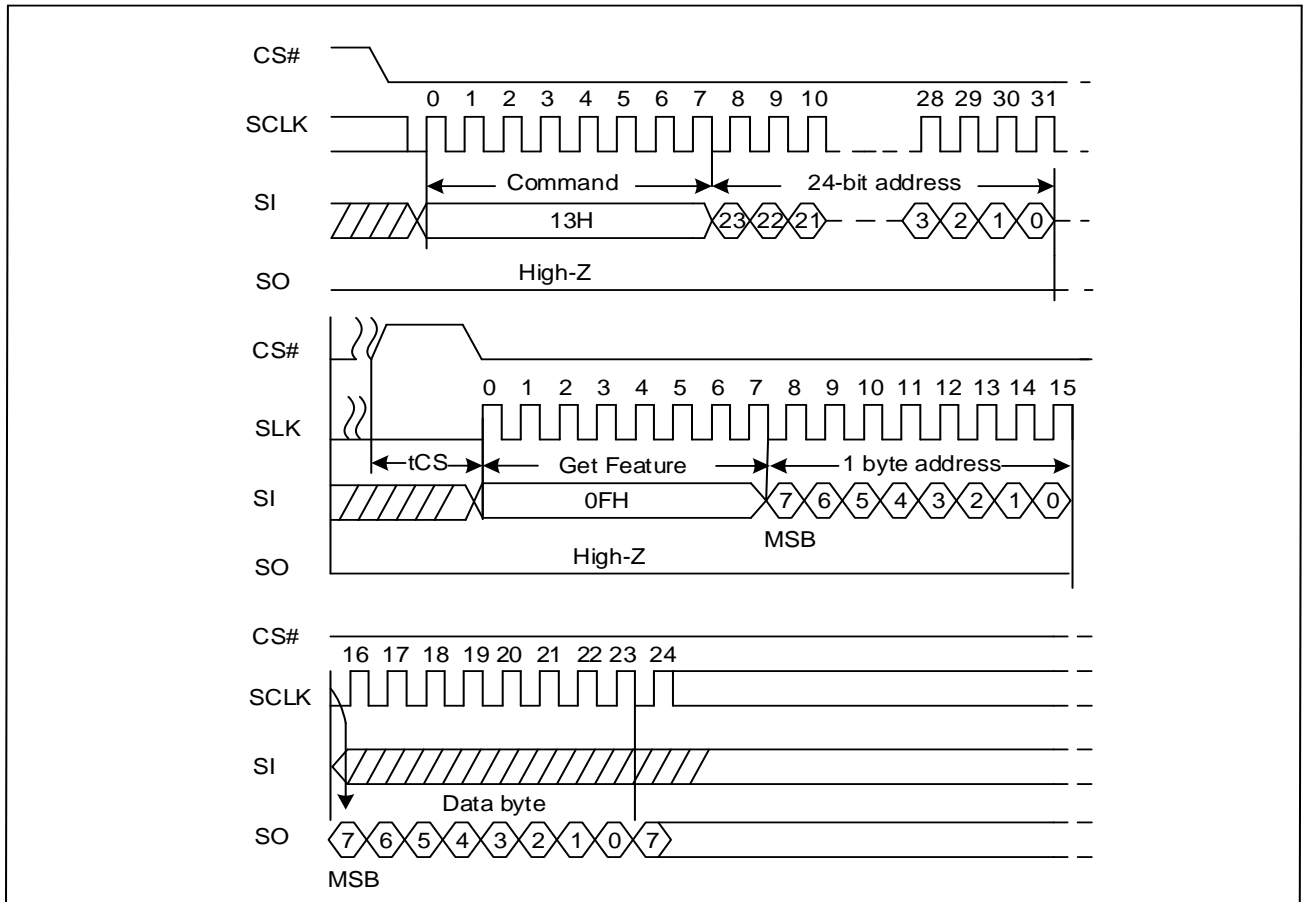
Note: (1) The command 6BH (Read from cache x4)/EBH (Read from cache Quad IO)/EEH (Read from cache Quad IO DTR) is only available with the QE enable.

(2) When user read to the end of 64-Byte spare area, it won't wrap around from the beginning boundary and an additional 64Byte ECC code will be read. (Internal ECC enabled)

## 8.2 Page Read to Cache (13H)

The command page read to cache is read the data from flash array to cache register.

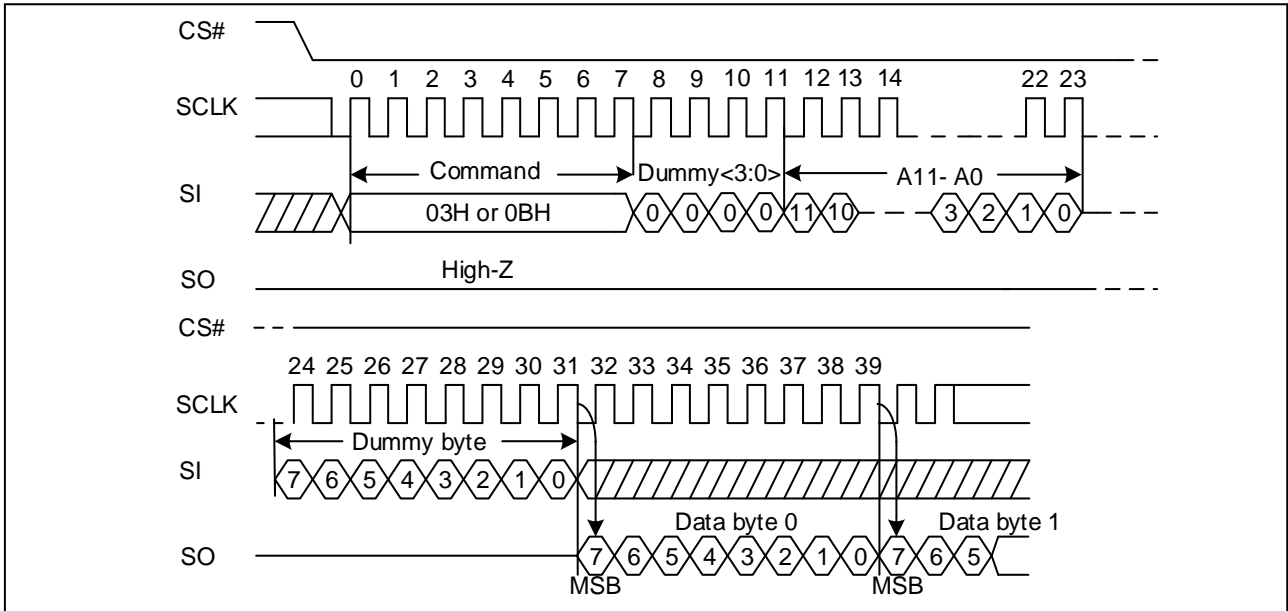
Figure 8-1. Page Read to cache Sequence Diagram



### 8.3 Read From Cache (03H or 0BH)

The command sequence is shown below.

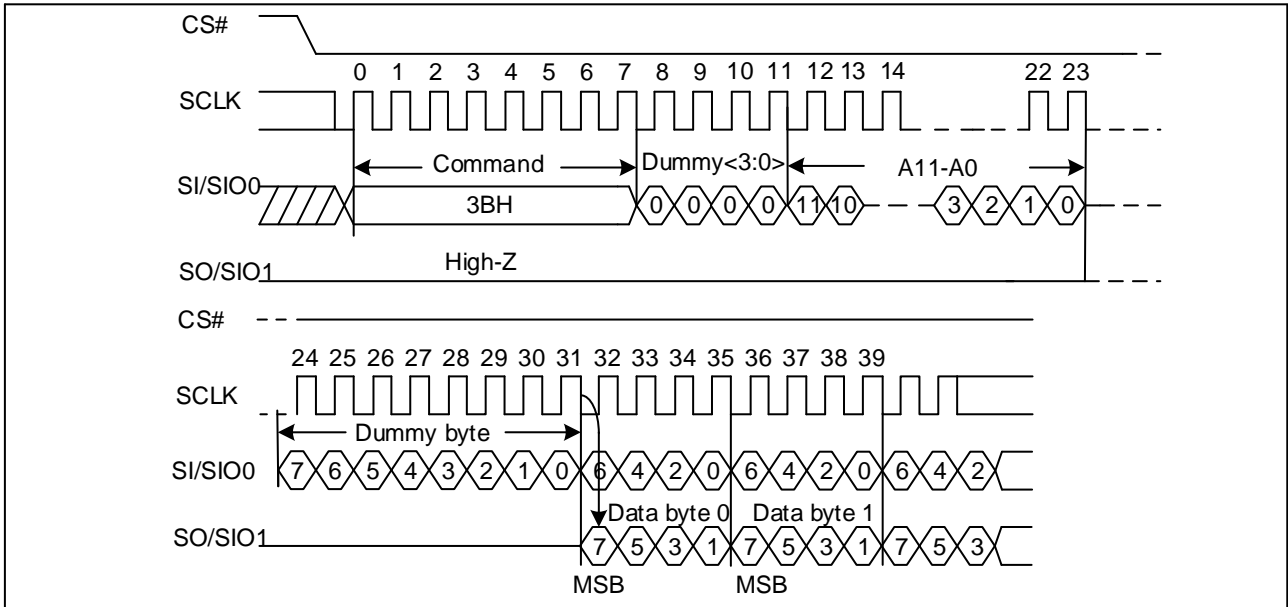
Figure 8-2. Read From Cache Sequence Diagram



### 8.4 Read From Cache x2 (3BH)

The command sequence is shown below.

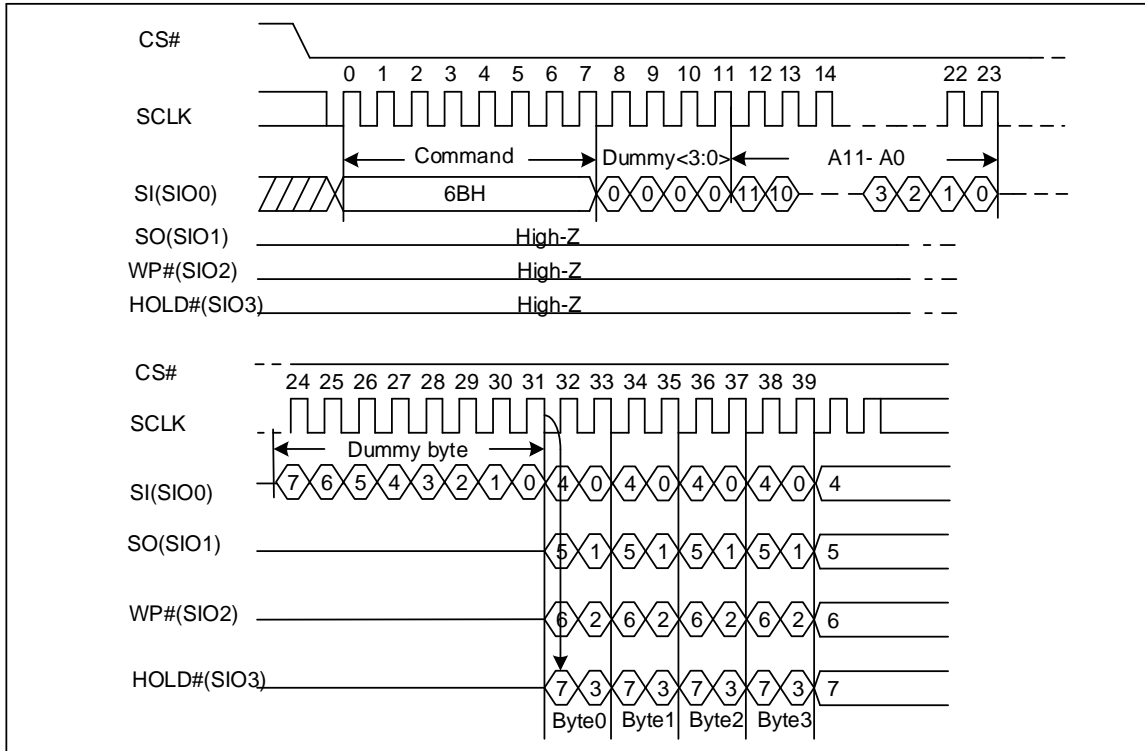
Figure 8-3. Read From Cache x2 Sequence Diagram



## 8.5 Read From Cache x4 (6BH)

The Quad Enable bit (QE) of feature (B0[0]) must be set to enable the read from cache x4 command. The command sequence is shown below.

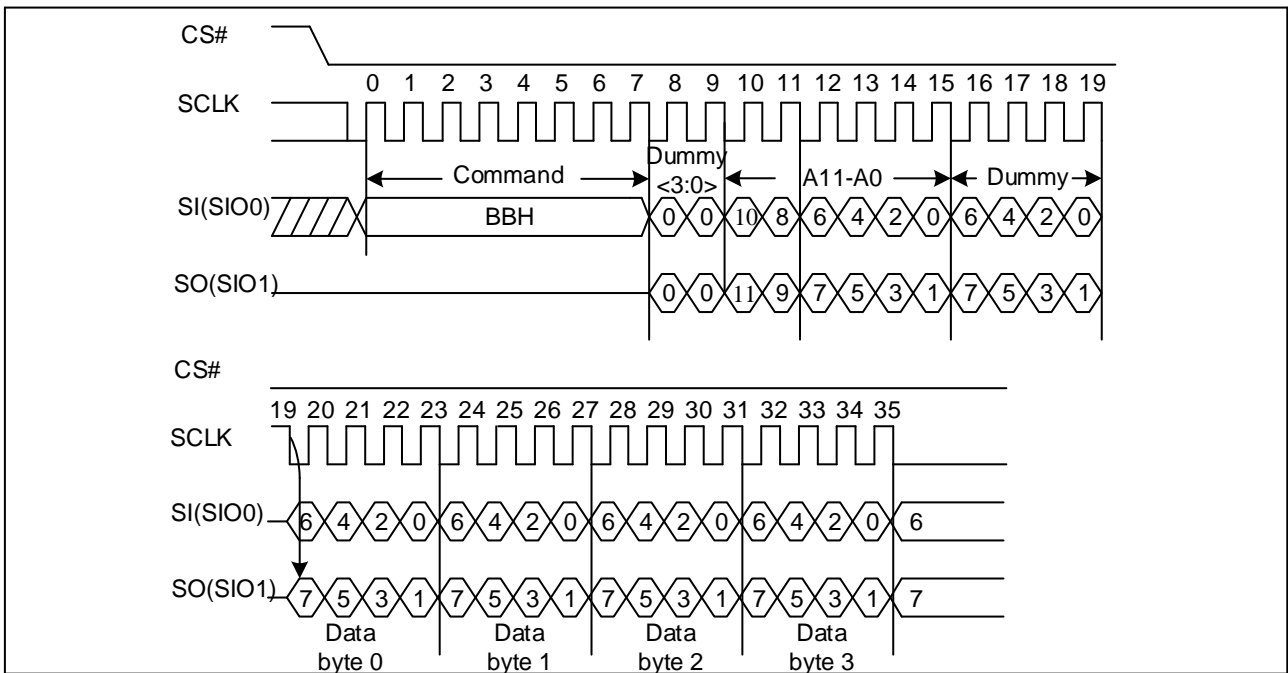
Figure 8-4. Read From Cache x4 Sequence Diagram



## 8.6 Read From Cache Dual IO (BBH)

The Read from Cache Dual I/O command (BBH) is similar to the Read from Cache x2 command (3BH) but with the capability to input the 4 Dummy bits, followed by a 12-bit column address for the starting byte address and 4 clock dummy by SIO0 and SIO1, each bit being latched in during the rising edge of SCLK, then the cache contents are shifted out 2-bit per clock cycle from SIO0 and SIO1. The first address byte can be at any location. The address is increased automatically to the next higher address after each byte of data shifted out until the boundary wrap bit.

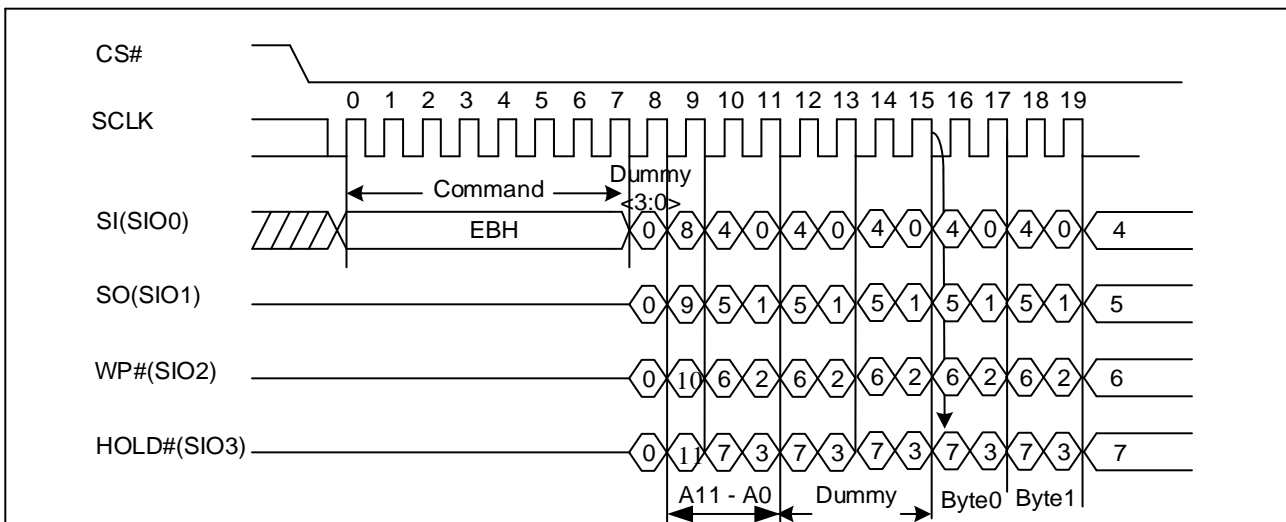
Figure 8-5 Read From Cache Dual IO Sequence Diagram



## 8.7 Read From Cache Quad IO (EBH)

The Read from Cache Quad IO command is similar to the Read from Cache x4 command but with the capability to input the 4 dummy bits, followed a 12-bit column address for the starting byte address and 4 clock dummy by SIO0, SIO1, SIO3, SIO4, each bit being latched in during the rising edge of SCLK, then the cache contents are shifted out 4-bit per clock cycle from SIO0, SIO1, SIO2, SIO3. The first byte addressed can be at any location. The address is increased automatically to the next higher address after each byte of data is shifted out until the boundary wrap bit. The Quad Enable bit (QE) of feature (B0[0]) must be set to enable the read from cache quad IO command.

Figure 8-6 Read From Cache Quad IO Sequence Diagram

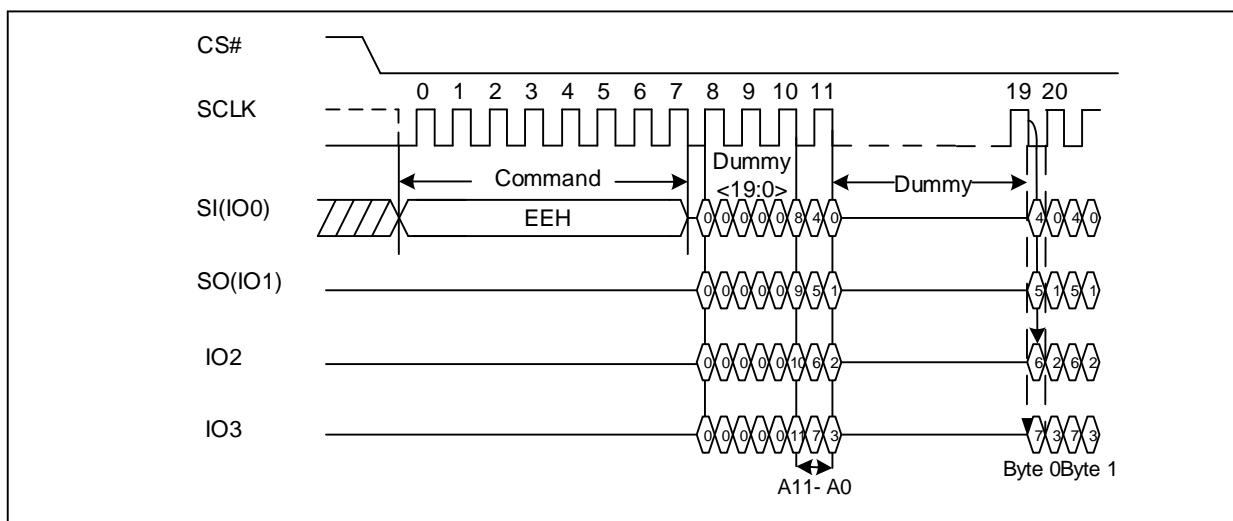


## 8.8 Read From Cache Quad I/O DTR (EEH)

The DTR Quad IO command enables Double Transfer Rate throughput on quad I/O of Serial Flash in read mode. A Quad Enable (QE) bit of status Register must be set to "1" before sending the DTR Quad IO command. The address (interleave on 4 I/O pins) is latched on both rising and falling edge of SCLK, and data (interleave on 4 I/O pins) shift out on both rising and falling edge of SCLK. The 8-bit address can be latched-in at one clock, and 8-bit data can be read out at one clock, which means four bits at rising edge of clock, the other four bits at falling edge of clock.

The first address Byte can be at any location. The address is automatically increased to the next higher address after each Byte data is shifted out, so the whole page can be read out at a single DTR Quad IO command. The address counter rolls over to 0 when the highest address has been reached.

Figure 8-7. Read From Cache Quad I/O DTR Sequence Diagram



Note:

Please contact GigaDevice when there is a need to use the EEh command for DTR.



## 8.9 Read ID (9FH)

The READ ID command is used to identify the NAND Flash device.

- With address 00H, the READ ID command outputs the Manufacturer ID and the device ID. See Table 8-1 for details.

Figure 8-8. Read ID Sequence Diagram

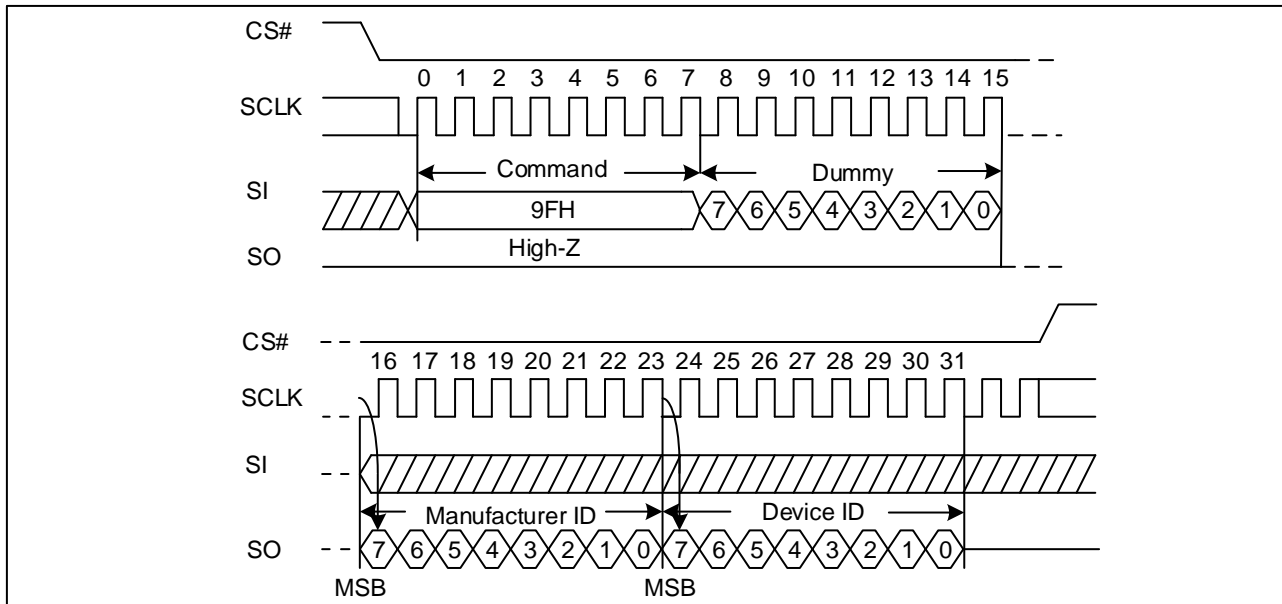


Table 8-1. READ ID Table

| Part No    | MID | DID1 |
|------------|-----|------|
| GD5F1GQ5UE | C8H | 51H  |

## 8.10 Read UID

The Read Unique ID function is used to retrieve the 16 bytes unique ID (UID) for the device. The unique ID when combined with the device manufacturer shall be unique.

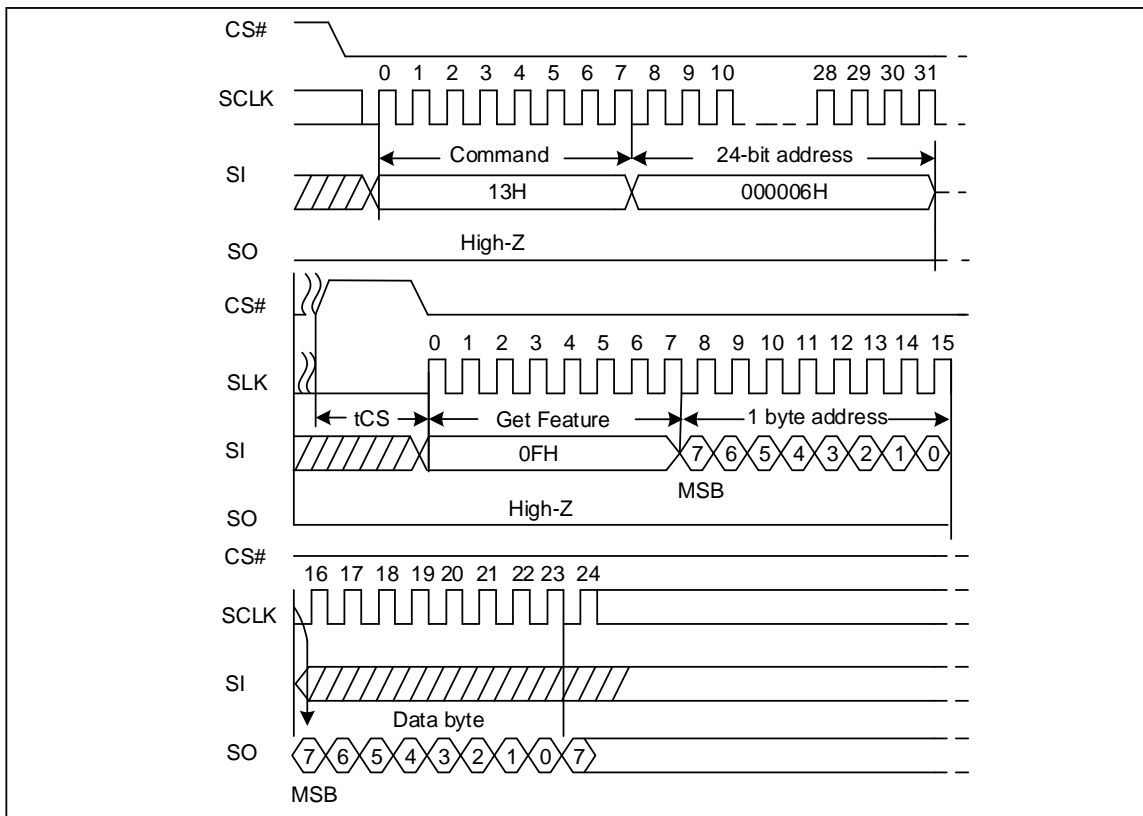
The UID data may be stored within the Flash array. To allow the host to determine if the UID is without bit errors, the UID is returned with its complement. If the XOR of the UID and its bit-wise complement is all ones, then the UID is valid. To accommodate robust retrieval of the UID in the case of bit errors, sixteen copies of the UID and the corresponding complement are stored by the target. For example, reading bytes 32-63 returns to the host another copies of the UID and its complement.

| Bytes | Value                     |
|-------|---------------------------|
| 0-15  | UID                       |
| 16-31 | UID complement (bit-wise) |

Sequence is as follows:

1. Use Set Feature command to set B0 register, to enable OTP\_EN.
2. Use Get Feature command to get data from B0 register and check if the OTP\_EN is enable.
3. Use page read to cache (13h) command with address 24'h000006h, read data from array to cache.
4. Use 0FH (GET FEATURES command) read the status.
5. User can use Read from cache command (03H/0BH), read 16 bytes UID from cache.

**Figure 8-9. Read UID to cache and Get Feature Command Sequence Diagram one**



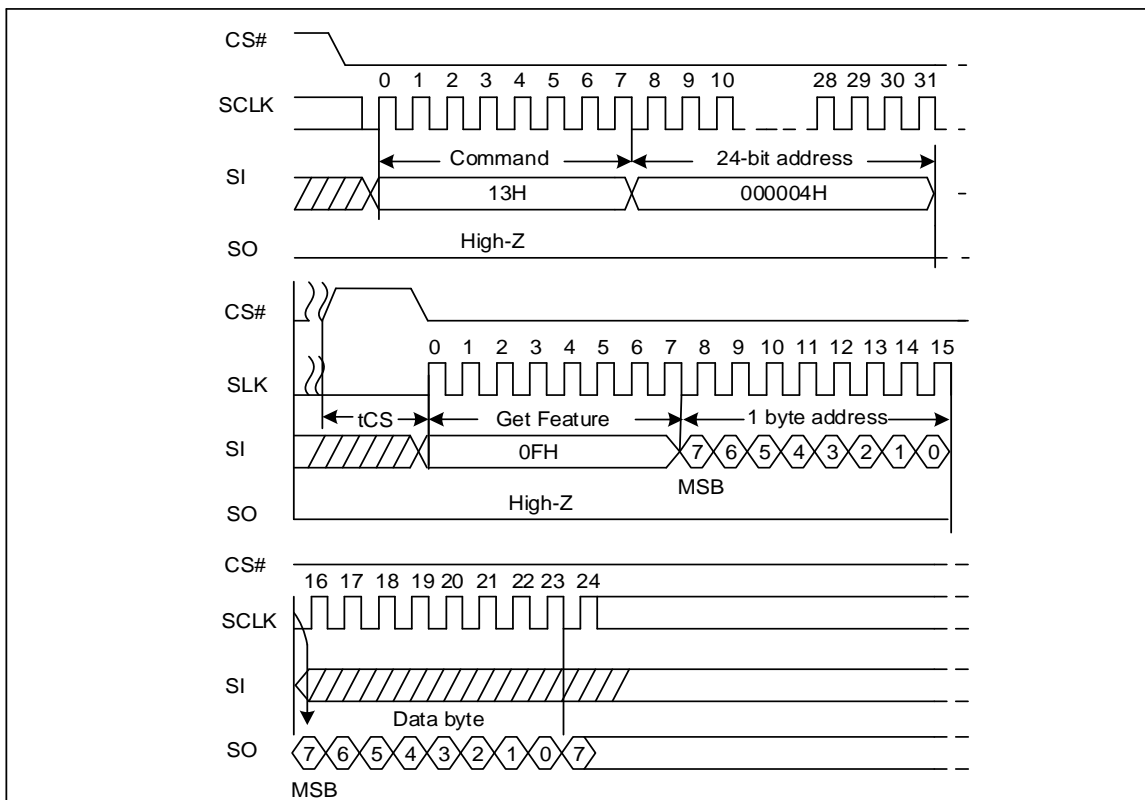
## 8.11 Read Parameter Page

The Read Parameter Page function retrieves the data structure that describes the chip's organization, features, timing and other behavioral parameters. This data structure enables the host processor to automatically recognize the SPI-NAND Flash configuration of a device. A minimum of three copies of the parameter page are stored in the device. The Read from Cache command can be used to change the location of data output.

Sequence is as follows:

1. Use Set Feature command to set B0 register, to enable OTP\_EN.
2. Use Get Feature command to get data from B0 register and check if the OTP\_EN is enable.
3. Use Page Read to Cache (13h) command with address 24'h000004. Load parameter page from array to cache.
4. Use 0FH (GET FEATURES command) read the status
5. User can use Read from cache command (03H/0BH), read parameter page from Byte0 to Byte767.

**Figure 8-10. Read parameter page to cache and Get Feature Command Sequence Diagram**



Parameter page table as follow (1G)

| Byte         | O/M          | Description   | 3.3V   |              |           |             |    |             |  |
|--------------|--------------|---|--|--------------|-----------|-------------|----|-------------|--|
| 0-3          | M            | Parameter page signature<br>Byte 0: 4FH, "O"<br>Byte 1: 4EH, "N"<br>Byte 2: 46H, "F"<br>Byte 3: 49H, "I"  | 4FH<br>4EH<br>46H<br>49H   |              |           |             |    |             |  |
| 4-5          | M            | Revision number<br>0-15 Reserved (0)  | 00H<br>00H   |              |           |             |    |             |  |
| 6-7          | M            | Features supported<br>0-15 Reserved (0)   | 00H<br>00H   |              |           |             |    |             |  |
| 8-9          | M            | Reserved (0)  | 00H<br>00H   |              |           |             |    |             |  |
| 10-31        |              | Reserved (0)  | 00H<br>...<br>00H  |              |           |             |    |             |  |
|              |              | Manufacturer Information block  |  |              |           |             |    |             |  |
| 32-43        | M            | Device manufacturer (12 ASCII characters)"GIGADEVICE "  | 47H<br>49H<br>47H<br>41H<br>44H<br>45H<br>56H<br>49H<br>43H<br>45H<br>20H<br>20H |              |           |             |    |             |  |
| 44-63        | M            | Device model (20 ASCII characters)<br><table border="1" data-bbox="343 1462 1184 1550"> <thead> <tr> <th>Device Model</th> <th>ORGANIZATION</th> <th>VCC RANGE</th> </tr> </thead> <tbody> <tr> <td>"GD5F1GQ5U"</td> <td>X4</td> <td>2.7v ~ 3.6v</td> </tr> </tbody> </table> | Device Model   | ORGANIZATION | VCC RANGE | "GD5F1GQ5U" | X4 | 2.7v ~ 3.6v | 47H<br>44H<br>35H<br>46H<br>31H<br>47H<br>51H<br>35H<br>55H<br>20H<br>20H<br>20H<br>20H<br>20H<br>20H<br>20H |
| Device Model | ORGANIZATION | VCC RANGE   |  |              |           |             |    |             |  |
| "GD5F1GQ5U"  | X4           | 2.7v ~ 3.6v   |  |              |           |             |    |             |  |



|         |   |  |                                 |
|---------|---|--|---------------------------------|
|         |   |  | 20H<br>20H<br>20H<br>20H<br>20H |
| 64      | M | JEDEC manufacturer ID“C8”                      | C8H                             |
| 65-66   | O | Date code                                      | 00H<br>00H                      |
| 67-79   |   | Reserved                                       | 00H<br>00H<br>00H               |
|         |   | Memory organization block                      |                                 |
| 80-83   | M | Number of data bytes per page                  | 00H<br>08H<br>00H<br>00H        |
| 84-85   | M | Number of spare bytes per page                 | 80H<br>00H                      |
| 86-89   | M | Number of data bytes per partial page          | 00H<br>02H<br>00H<br>00H        |
| 90-91   | M | Number of spare bytes per partial page         | 20H<br>00H                      |
| 92-95   | M | Number of pages per block                      | 40H<br>00H<br>00H<br>00H        |
| 96-99   | M | Number of blocks per logical unit (LUN)        | 00H<br>04H<br>00H<br>00H        |
| 100     | M | Number of logical units (LUNs)                 | 01H                             |
| 101     | M | Reserved                                       | 00H                             |
| 102     | M | Number of bits per cell                        | 01H                             |
| 103-104 | M | Bad blocks maximum                             | 14H<br>00H                      |
| 105-106 | M | Block endurance                                | 01H<br>05H                      |
| 107     | M | Guaranteed valid blocks at beginning of target | 01H                             |
| 108-109 | M | Block endurance for guaranteed valid blocks    | 00H<br>00H                      |



|         |   |  |                   |
|---------|---|--|-------------------|
| 110     | M | Number of programs per page  | 04H               |
| 111     | M | Partial programming attributes<br>5-7 Reserved<br>4 1 = partial page layout is partial page data followed by partial page spare<br>1-3 Reserved<br>0 1 = partial page programming has constraints                          | 00H               |
| 112     | M | Number of bits ECC correctability  | 00H               |
| 113     | M | Number of interleaved address bits<br>4-7 Reserved (0)<br>0-3 Number of interleaved address bits   | 00H               |
| 114     | O | Interleaved operation attributes<br>4-7 Reserved (0)<br>3 Address restrictions for program cache<br>2 1 = program cache supported<br>1 1 = no block address restrictions<br>0 Overlapped / concurrent interleaving support | 00H               |
| 115-127 |   | Reserved   | 00H<br>...<br>00H |
|         |   | Electrical parameters block  |                   |
| 128     | M | I/O capacitance  | 08H               |
| 129-130 | M | IO clock support   | 00H<br>00H        |
| 131-132 | O | Reserved (0)   | 00H<br>00H        |
| 133-134 | M | tPROG Maximum page program time (us)   | 58H<br>02H        |
| 135-136 | M | tBERS Maximum block erase time (us)  | 10H<br>27H        |
| 137-138 | M | tR Maximum page read time (us)   | 3CH<br>00H        |
| 139-140 | M | Reserved   | 00H<br>00H        |
| 141-163 |   | Reserved   | 00H               |
|         |   | Vendor block   |                   |
| 164-165 | M | Vendor specific Revision number  | 00H               |
| 166-253 |   | Vendor specific  | 00H               |
| 254-255 | M | Integrity CRC  | Set on test       |
|         |   | Redundant parameter pages  |                   |
| 256-511 | M | Value of bytes 0-255   |                   |
| 512-767 | M | Value of bytes 0-255   |                   |



**Notes:**

1. "O" Stands for Optional, "M" for Mandatory
2. The Integrity CRC (Cycling Redundancy Check) field is used to verify that the contents of the parameters page were transferred correctly to the host. Please refer to ONFI 1.0 specifications for details. The CRC shall be calculated using the following 16-bit generator polynomial:  $G(X) = X^{16} + X^{15} + X^2 + 1$ , This polynomial in hex may be represented as 8005h.
3. The CRC value shall be initialized with a value of 4F4Eh before the calculation begins. There is no XOR applied to the final CRC value after it is calculated. There is no reversal of the data bytes or the CRC calculated value.

| Device Model   | ORGANIZATION | VCC RANGE   | CRC value B254/B255 |
|----------------|--------------|-------------|---------------------|
| "GD5F1GQ5UxxG" | X4           | 2.7v ~ 3.6v | 58H/F3H             |

## 8.12 Read CASN Page

The Read CASN Page function retrieves the data structure that describes the chip's organization, features, timing and other behavioral parameters. This data structure enables the host processor to automatically recognize the SPI-NAND Flash configuration of a device. The whole data structure is repeated at least three times.

Sequence is as follows (Same as Read Parameter Page):

6. Use Set Feature command to set B0 register, to enable OTP\_EN.
7. Use Get Feature command to get data from B0 register and check if the OTP\_EN is enable.
8. Use Page Read to Cache (13h) command with address 24'h000001h. Load parameter page and CASN page from array to cache.
9. Use 0Fh (GET FEATURES command) read the status
10. User can use Read from cache command (03h/0Bh), read CASN page from Byte768 to Byte1535.

**CASN page table as follow**

| Byte    | Description  | 3.3V |
|---------|--|------|
| 768-771 | CASN page signature  | 43h  |
|         | Byte 0: 43h, "C"   | 41h  |
|         | Byte 1: 41h, "A"   | 53h  |
|         | Byte 2: 53h, "S"   | 4Eh  |
| 772     | Revision number  |      |
|         | bit7~4: major version,<br>bit3~0: minor version            | 10h  |
| 773-785 | Device manufacturer (13 ASCII characters)<br>"GIGADEVICE " | 47h  |
|         |  | 49h  |
|         |  | 47h  |
|         |  | 41h  |
|         |  | 44h  |
|         |  | 45h  |
|         |  | 56h  |
|         |  | 49h  |
|         |  | 43h  |
|         |  | 45h  |
|         | 20h  |      |
|         | 20h  |      |
|         | 20h  |      |





|         |  |                                  |     |
|---------|--|----------------------------------|-----|
| 786-801 | Device model (16 ASCII characters)<br>"GD5F1GQ5UE" |                                  | 47h |
|         |  |                                  | 44h |
|         |  |                                  | 35h |
|         |  |                                  | 46h |
|         |  |                                  | 31h |
|         |  |                                  | 47h |
|         |  |                                  | 51h |
|         |  |                                  | 35h |
|         |  |                                  | 55h |
|         |  |                                  | 45h |
|         |  |                                  | 20h |
|         |  |                                  | 20h |
|         |  |                                  | 20h |
| 802-805 |  | bit per cell<br>1: SLC<br>2: MLC | 00h |
|         |  |                                  | 00h |
|         |  |                                  | 00h |
|         |  |                                  | 01h |
| 806-809 |  | page size(2KB)                   | 00h |
|         |  |                                  | 00h |
|         |  |                                  | 08h |
| 810-813 |  | oob size (physical) (128B)       | 00h |
|         |  |                                  | 00h |
|         |  |                                  | 80h |
| 814-817 | NAND Memory Organization                           | pages per block                  | 00h |
|         |  |                                  | 00h |
|         |  |                                  | 40h |
| 818-821 |  | eraseblock per lun               | 00h |
|         |  |                                  | 00h |
|         |  |                                  | 04h |
| 822-825 |  | max bad blocks per lun           | 00h |
|         |  |                                  | 00h |
|         |  |                                  | 14h |
| 826-829 |  | logical planes per               | 00h |
|         |  |                                  | 00h |
|         |  |                                  | 01h |



|         |  |                         |                          |
|---------|--|-------------------------|--------------------------|
| 830-833 |  | luns per target         | 00h<br>00h<br>00h<br>01h |
| 834-837 |  | total targets logic     | 00h<br>00h<br>00h<br>01h |
| 838-841 | ECC<br>requirement   | ECC strength (decimal)  | 00h<br>00h<br>00h<br>04h |
| 842-845 |  | ECC step size (decimal) | 00h<br>00h<br>02h<br>00h |
| 846     | Flags:<br>bit7: ECC algorithm (0: hamming, 1:BCH)<br>bit6: ECC parity readable (0: no, 1: yes)<br>bit5: support advanced ECC status (0: no, 1: yes)<br>bit4: Support legacy ECC status (0: no, 1: yes)<br>bit3: support on-die ECC (0: no, 1: yes)<br>bit2: support continuous read (0: no, 1: yes)<br>bit1: has continuous read feature bit (0: no, 1: yes)<br>bit0: has quad mode bit (0: no, 1: yes)                        |                         | F9h                      |
| 847     | Reserved   |                         | 00h                      |
| 848     | SDR read ability- Continuous read<br>bit7: 1_8_8 continuous read (0: no, 1: yes)<br>bit6: 1_1_8 continuous read (0: no, 1: yes)<br>bit5: 1_4_4 continuous read (0: no, 1: yes)<br>bit4: 1_1_4 continuous read (0: no, 1: yes)<br>bit3: 1_2_2 continuous read (0: no, 1: yes)<br>bit2: 1_1_2 continuous read (0: no, 1: yes)<br>bit1: 1_1_1 fast continuous read (0: no, 1: yes)<br>bit0: 1_1_1 continuous read (0: no, 1: yes) |                         | 00h                      |
| 849     | SDR read ability- Non-continuous read<br>bit7: 1_8_8 (0: no, 1: yes)<br>bit6: 1_1_8 (0: no, 1: yes)<br>bit5: 1_4_4 (0: no, 1: yes)<br>bit4: 1_1_4 (0: no, 1: yes)<br>bit3: 1_2_2 (0: no, 1: yes)<br>bit2: 1_1_2 (0: no, 1: yes)<br>bit1: 1_1_1 fast (0: no, 1: yes)<br>bit0: 1_1_1 (0: no, 1: yes)   |                         | 3Fh                      |



|     |                                       |  |     |
|-----|---------------------------------------|--|-----|
| 850 |                                       | cmd  | 03h |
| 851 | SDR 1_1_1 read                        | bit7~4: address nbytes<br>bit3~0: dummy nbytes | 21h |
| 852 |                                       | cmd  | 0Bh |
| 853 | SDR 1_1_1 fast read                   | bit7~4: address nbytes<br>bit3~0: dummy nbytes | 21h |
| 854 |                                       | cmd  | 3Bh |
| 855 | SDR 1_1_2 read (x2)                   | bit7~4: address nbytes<br>bit3~0: dummy nbytes | 21h |
| 856 |                                       | cmd  | BBh |
| 857 | SDR 1_2_2 read (dual)                 | bit7~4: address nbytes<br>bit3~0: dummy nbytes | 21h |
| 858 |                                       | cmd  | 6Bh |
| 859 | SDR 1_1_4 read (x4)                   | bit7~4: address nbytes<br>bit3~0: dummy nbytes | 21h |
| 860 |                                       | cmd  | EBh |
| 861 | SDR 1_4_4 read (Quad)                 | bit7~4: address nbytes<br>bit3~0: dummy nbytes | 22h |
| 862 |                                       | cmd  | 00h |
| 863 | SDR 1_1_8 read (x8)                   | bit7~4: address nbytes<br>bit3~0: dummy nbytes | 00h |
| 864 |                                       | cmd  | 00h |
| 865 | SDR 1_8_8 read (Octal)                | bit7~4: address nbytes<br>bit3~0: dummy nbytes | 00h |
| 866 |                                       | cmd  | 00h |
| 867 | SDR 1_1_1 read<br>(continuous)        | bit7~4: address nbytes<br>bit3~0: dummy nbytes | 00h |
| 868 |                                       | cmd  | 00h |
| 869 | SDR 1_1_1 fast read<br>(continuous)   | bit7~4: address nbytes<br>bit3~0: dummy nbytes | 00h |
| 870 |                                       | cmd  | 00h |
| 871 | SDR 1_1_2 read (x2)<br>(continuous)   | bit7~4: address nbytes<br>bit3~0: dummy nbytes | 00h |
| 872 |                                       | cmd  | 00h |
| 873 | SDR 1_2_2 read (dual)<br>(continuous) | bit7~4: address nbytes<br>bit3~0: dummy nbytes | 00h |
| 874 |                                       | cmd  | 00h |
| 875 | SDR 1_1_4 read (x4)<br>(continuous)   | bit7~4: address nbytes<br>bit3~0: dummy nbytes | 00h |
| 876 |                                       | cmd  | 00h |
| 877 | SDR 1_4_4 read (Quad)<br>(continuous) | bit7~4: address nbytes<br>bit3~0: dummy nbytes | 00h |
| 878 |                                       | cmd  | 00h |



|     |  |  |     |
|-----|--|--|-----|
| 879 | SDR 1_1_8 read (x8)<br>(continuous)  | bit7~4: address nbytes<br>bit3~0: dummy nbytes | 00h |
| 880 | SDR 1_8_8 read (Octal)<br>(continuous)   | cmd  | 00h |
| 881 |  | bit7~4: address nbytes<br>bit3~0: dummy nbytes | 00h |
| 882 | DDR read ability- Continuous read<br>bit7: 1_8_8 continuous read (0: no, 1: yes)<br>bit6: 1_1_8 continuous read (0: no, 1: yes)<br>bit5: 1_4_4 continuous read (0: no, 1: yes)<br>bit4: 1_1_4 continuous read (0: no, 1: yes)<br>bit3: 1_2_2 continuous read (0: no, 1: yes)<br>bit2: 1_1_2 continuous read (0: no, 1: yes)<br>bit1: 1_1_1 fast continuous read (0: no, 1: yes)<br>bit0: 1_1_1 continuous read (0: no, 1: yes) |  | 00h |
| 883 | DDR read ability- Non-continuous read<br>bit0: 1_1_1 (0: no, 1: yes)<br>bit7: 1_8_8 (0: no, 1: yes)<br>bit6: 1_1_8 (0: no, 1: yes)<br>bit5: 1_4_4 (0: no, 1: yes)<br>bit4: 1_1_4 (0: no, 1: yes)<br>bit3: 1_2_2 (0: no, 1: yes)<br>bit2: 1_1_2 (0: no, 1: yes)<br>bit1: 1_1_1 (0: no, 1: yes)<br>bit0: 1_1_1 (0: no, 1: yes)   |  | 20h |
| 884 | DDR 1_1_1 read   | cmd  | 00h |
| 885 |  | bit7~4: address nbytes<br>bit3~0: dummy nbytes | 00h |
| 886 | DDR 1_1_1 fast read  | cmd  | 00h |
| 887 |  | bit7~4: address nbytes<br>bit3~0: dummy nbytes | 00h |
| 888 | DDR 1_1_2 read (x2)  | cmd  | 00h |
| 889 |  | bit7~4: address nbytes<br>bit3~0: dummy nbytes | 00h |
| 890 | DDR 1_2_2 read (dual)  | cmd  | 00h |
| 891 |  | bit7~4: address nbytes<br>bit3~0: dummy nbytes | 00h |
| 892 | DDR 1_1_4 read (x4)  | cmd  | 00h |
| 893 |  | bit7~4: address nbytes<br>bit3~0: dummy nbytes | 00h |
| 894 | DDR 1_4_4 read (quad)  | cmd  | EEh |
| 895 |  | bit7~4: address nbytes<br>bit3~0: dummy nbytes | 48h |
| 896 | DDR 1_1_8 read (x8)  | cmd  | 00h |



|     |  |  |     |
|-----|--|--|-----|
| 897 |  | bit7~4: address nbytes<br>bit3~0: dummy nbytes | 00h |
| 898 | DDR 1_8_8 read (octal)   | cmd  | 00h |
| 899 |  | bit7~4: address nbytes<br>bit3~0: dummy nbytes | 00h |
| 900 | DDR 1_1_1 read<br>(continuous)   | cmd  | 00h |
| 901 |  | bit7~4: address nbytes<br>bit3~0: dummy nbytes | 00h |
| 902 | DDR 1_1_1 fast read<br>(continuous)  | cmd  | 00h |
| 903 |  | bit7~4: address nbytes<br>bit3~0: dummy nbytes | 00h |
| 904 | DDR 1_1_2 read (x2)<br>(continuous)  | cmd  | 00h |
| 905 |  | bit7~4: address nbytes<br>bit3~0: dummy nbytes | 00h |
| 906 | DDR 1_2_2 read (dual)<br>(continuous)  | cmd  | 00h |
| 907 |  | bit7~4: address nbytes<br>bit3~0: dummy nbytes | 00h |
| 908 | DDR 1_1_4 read (x4)<br>(continuous)  | cmd  | 00h |
| 909 |  | bit7~4: address nbytes<br>bit3~0: dummy nbytes | 00h |
| 910 | DDR 1_4_4 read (quad)<br>(continuous)  | cmd  | 00h |
| 911 |  | bit7~4: address nbytes<br>bit3~0: dummy nbytes | 00h |
| 912 | DDR 1_1_8 read (x8)<br>(continuous)  | cmd  | 00h |
| 913 |  | bit7~4: address nbytes<br>bit3~0: dummy nbytes | 00h |
| 914 | DDR 1_8_8 read (octal)<br>(continuous)   | cmd  | 00h |
| 915 |  | bit7~4: address nbytes<br>bit3~0: dummy nbytes | 00h |
| 916 | SDR write ability (Program load)<br>bit7~2: reserved<br>bit1: 1_1_4 write (0: no, 1: yes)<br>bit0: 1_1_1 write (0: no, 1: yes) |  | 03h |
| 917 | SDR 1_1_1 write  | cmd  | 02h |
| 918 |  | bit7~4: address nbytes<br>bit3~0: dummy nbytes | 20h |
| 919 | SDR 1_1_4 write (x4)   | cmd  | 32h |
| 920 |  | bit7~4: address nbytes<br>bit3~0: dummy nbytes | 20h |



|         |   |  |  |
|---------|---|--|--|
| 921-932 | reserved  |  | 00h<br>00h<br>00h<br>00h<br>00h<br>00h<br>00h<br>00h<br>00h<br>00h<br>00h<br>00h               |
| 933     | DDR write ability (reserved)<br>bit7~0: reserved  |  | 00h  |
| 934-949 | reserved  |  | 00h<br>00h<br>00h<br>00h<br>00h<br>00h<br>00h<br>00h<br>00h<br>00h<br>00h<br>00h<br>00h<br>00h |
| 950     | SDR update ability (Program Load Random Data)<br>bit7~2: reserved<br>bit1: 1_1_4 update (0: no, 1: yes)<br>bit0: 1_1_1 update (0: no, 1: yes) |  | 03h  |
| 951     | SDR 1_1_1 update  | cmd  | 84h  |
| 952     |   | bit7~4: address nbytes<br>bit3~0: dummy nbytes | 20h  |
| 953     | SDR 1_1_4 update  | cmd  | 34h  |
| 954     |   | bit7~4: address nbytes<br>bit3~0: dummy nbytes | 20h  |



|         |   |                              |  |
|---------|---|------------------------------|--|
| 955-966 | reserved  |                              | 00h<br>00h<br>00h<br>00h<br>00h<br>00h<br>00h<br>00h<br>00h<br>00h<br>00h<br>00h               |
| 967     | DDR update ability (Reserved)<br>bit7~0: reserved |                              | 00h  |
| 968-983 | reserved  |                              | 00h<br>00h<br>00h<br>00h<br>00h<br>00h<br>00h<br>00h<br>00h<br>00h<br>00h<br>00h<br>00h<br>00h |
| 984     | OOB overall layout                                | 0: Discrete<br>1: Continuous | 01h  |
| 985     | OOB free layout                                   | OOB free start               | 00h  |
| 986     |   | OOB free length              | 10h  |
| 987     |   | BBM (bad block mark) length  | 02h  |
| 988     | ECC parity layout                                 | ECC parity start             | 40h  |
| 989     |   | ECC parity space             | 10h  |
| 990     |   | ECC parity (real) length     | 10h  |
| 991     | Advanced ECC status<br>CMD0 (higher bit)          | cmd value                    | 0Fh  |
| 992     |   | addr val                     | C0h  |
| 993     |   | addr nbytes                  | 01h  |
| 994     |   | addr buswidth                | 01h  |
| 995     |   | dummy nbytes                 | 00h  |
| 996     |   | dummy buswidth               | 00h  |



|           |  |   |                                 |
|-----------|--|---|---------------------------------|
| 997       |  | status bytes (max=2)                                      | 01h                             |
| 998       |  | status register mask0                                     | 00h                             |
| 999       |  | status register mask1                                     | 30h                             |
| 1000      |  | post process operator:<br>0: none<br>1: &<br>2: +         | 00h                             |
| 1001      |  | post process mask   | 00h                             |
| 1002      |  | cmd value   | 0Fh                             |
| 1003      |  | addr val  | F0h                             |
| 1004      |  | addr nbytes   | 01h                             |
| 1005      |  | addr buswidth   | 01h                             |
| 1006      |  | dummy nbytes  | 00h                             |
| 1007      |  | dummy buswidth  | 00h                             |
| 1008      | Advanced ECC status  | status bytes (max=2)                                      | 01h                             |
| 1009      | CMD1 (lower bit)   | status register mask0                                     | 00h                             |
| 1010      |  | status register mask1                                     | 30h                             |
| 1011      |  | post process operator:<br>0: none<br>1: &<br>2: +         | 00h                             |
| 1012      |  | post process mask   | 00h                             |
| 1013      | ECC no error status  |   | 00h                             |
| 1014      | ECC uncorrectable status   |   | 08h                             |
| 1015      | If correctable bitflips happen (return ECC max if number exceeds ECC max capability) | post process operator:<br>0: none<br>1: &<br>2: +<br>3: - | 03h                             |
| 1016      |  | post process mask   | 03h                             |
| 1017-1021 | Reserved   |   | 00h<br>00h<br>00h<br>00h<br>00h |
| 1022-1023 | Integrity CRC  |   | 93h<br>9Dh                      |
| 1024-1279 | Value of bytes 768-1023  |   | Same as<br>768-1023Byte         |
| 1280-1535 | Value of bytes 768-1023  |   | Same as<br>768-1023Byte         |





**Notes:**

1. The Integrity CRC (Cycling Redundancy Check) field is used to verify that the contents of the CASN page were transferred correctly to the host. The CRC shall be calculated using the following 16-bit generator polynomial:  $G(X) = X^{16} + X^{15} + X^2 + 1$ , This polynomial in hex may be represented as 8005h.
2. The CRC value shall be initialized with a value of 4341h before the calculation begins. There is no XOR applied to the final CRC value after it is calculated. There is no reversal of the data bytes or the CRC calculated value.

| Device Model | ORGANIZATION | VCC RANGE   | CRC value B1022/B1023 |
|--------------|--------------|-------------|-----------------------|
| "GD5F1GQ5UE" | X4           | 2.7v ~ 3.6v | 93h/9Dh               |

## 9 PROGRAM OPERATIONS

### 9.1 Page Program

The PAGE PROGRAM operation sequence programs 1 byte to whole page bytes of data within a page. The page program sequence is as follows:

- 02H (PROGRAM LOAD)/32H (PROGRAM LOAD x4)
- 06H (WRITE ENABLE)
- 10H (PROGRAM EXECUTE)
- 0FH (GET FEATURE command to read the status)

Firstly, a PROGRAM LOAD (02H/32H) command is issued. PROGRAM LOAD consists of an 8-bit Op code, followed by 4 dummy bits and a 12-bit column address, then the data bytes to be programmed. The Program address should be in sequential order in a block. The data bytes are loaded into a cache register that is whole page long. If more than one page data are loaded, then those additional bytes are ignored by the cache register. The command sequence ends when CS# goes from LOW to HIGH. Figure 9-1 shows the PROGRAM LOAD operation. Secondly, prior to performing the PROGRAM EXECUTE operation, a WRITE ENABLE (06H) command must be issued. As with any command that changes the memory contents, the WRITE ENABLE must be executed in order to set the WEL bit. If this command is not issued, then the rest of the program sequence is ignored.

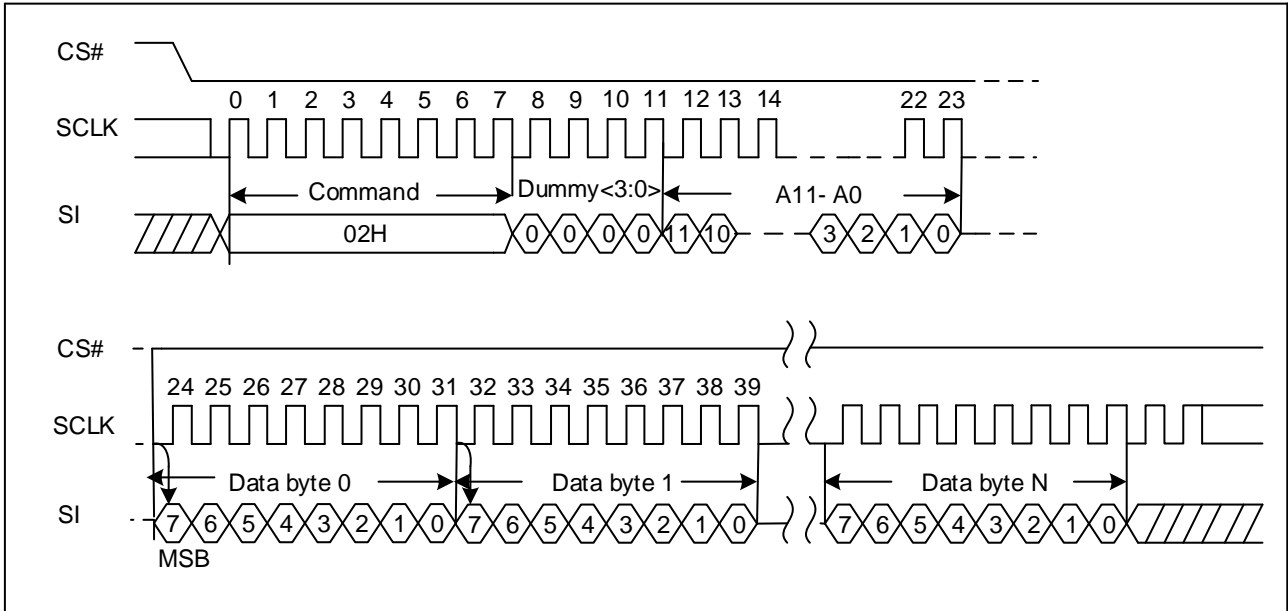
Note:

1. The contents of Cache Register don't reset when Program Random Load (84h) command and RESET (FFh) command.
2. When Program Execute (10h) command was issued just after Program Load (02h) command, the 0xFF is output to the address that data was not loaded by Program Load (02h) command.
3. When Program Execute (10h) command was issued just after Program Load Random Data (84h) command, the contents of Cache Register are output to the NAND.
4. The Program address should be in sequential order in a block.
5. Program Load x4 is only available with the QE enable.

## 9.2 Program Load (PL) (02H)

The command sequence is shown below.

Figure 9-1. Program Load Sequence Diagram

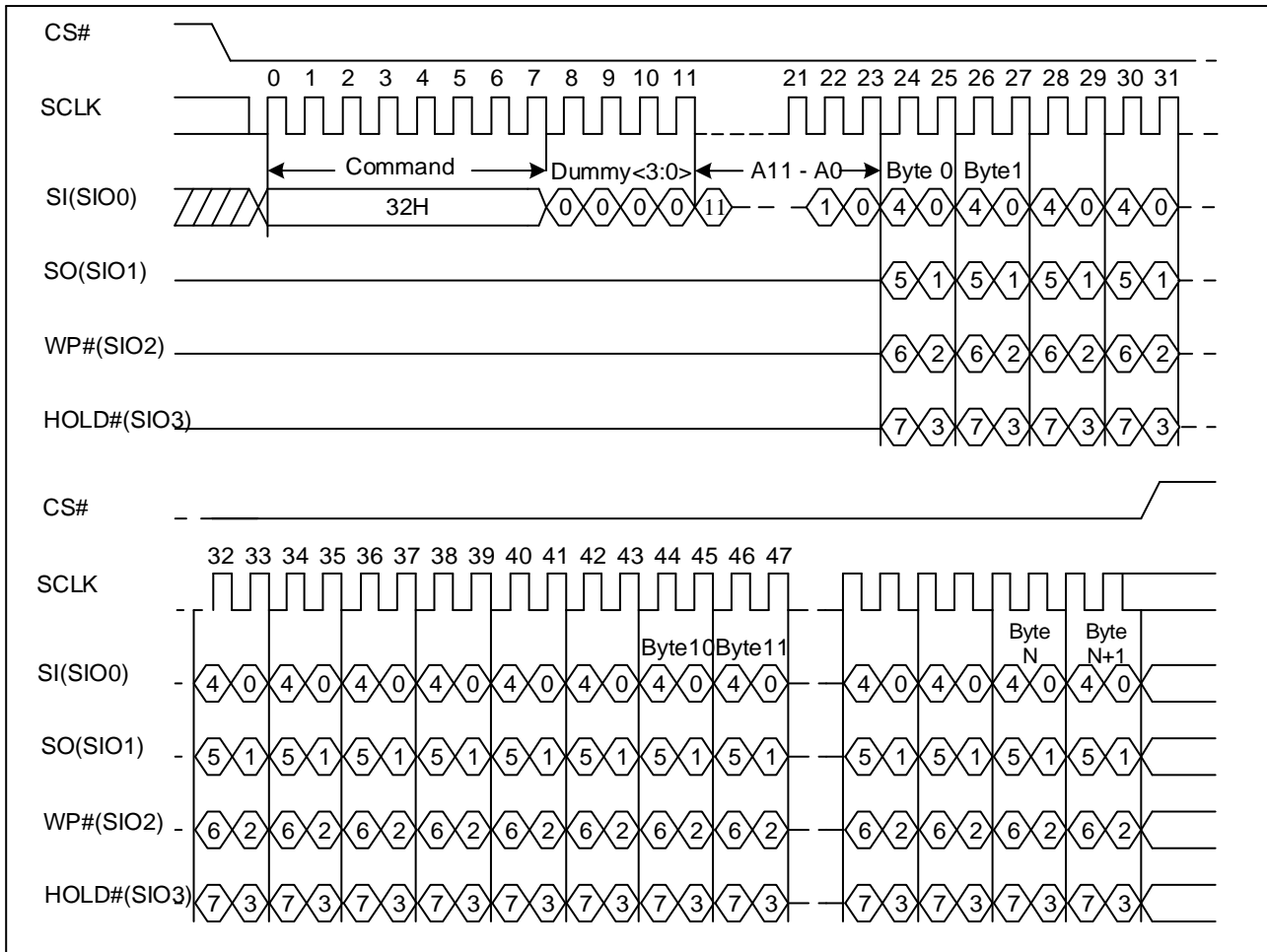


Note: When internal ECC disabled the Data Byte is 2176, when internal ECC enabled the Data Byte is 2112.

### 9.3 Program Load x4 (PL x4) (32H)

The Program Load x4 command (32H) is similar to the Program Load command (02H) but with the capability to input the data bytes by four pins: SIO0, SIO1, SIO2, and SIO3. The command sequence is shown below. The Quad Enable bit (QE) of feature (B0[0]) must be set to enable the program load x4 command.

Figure 9-2. Program Load x4 Sequence Diagram

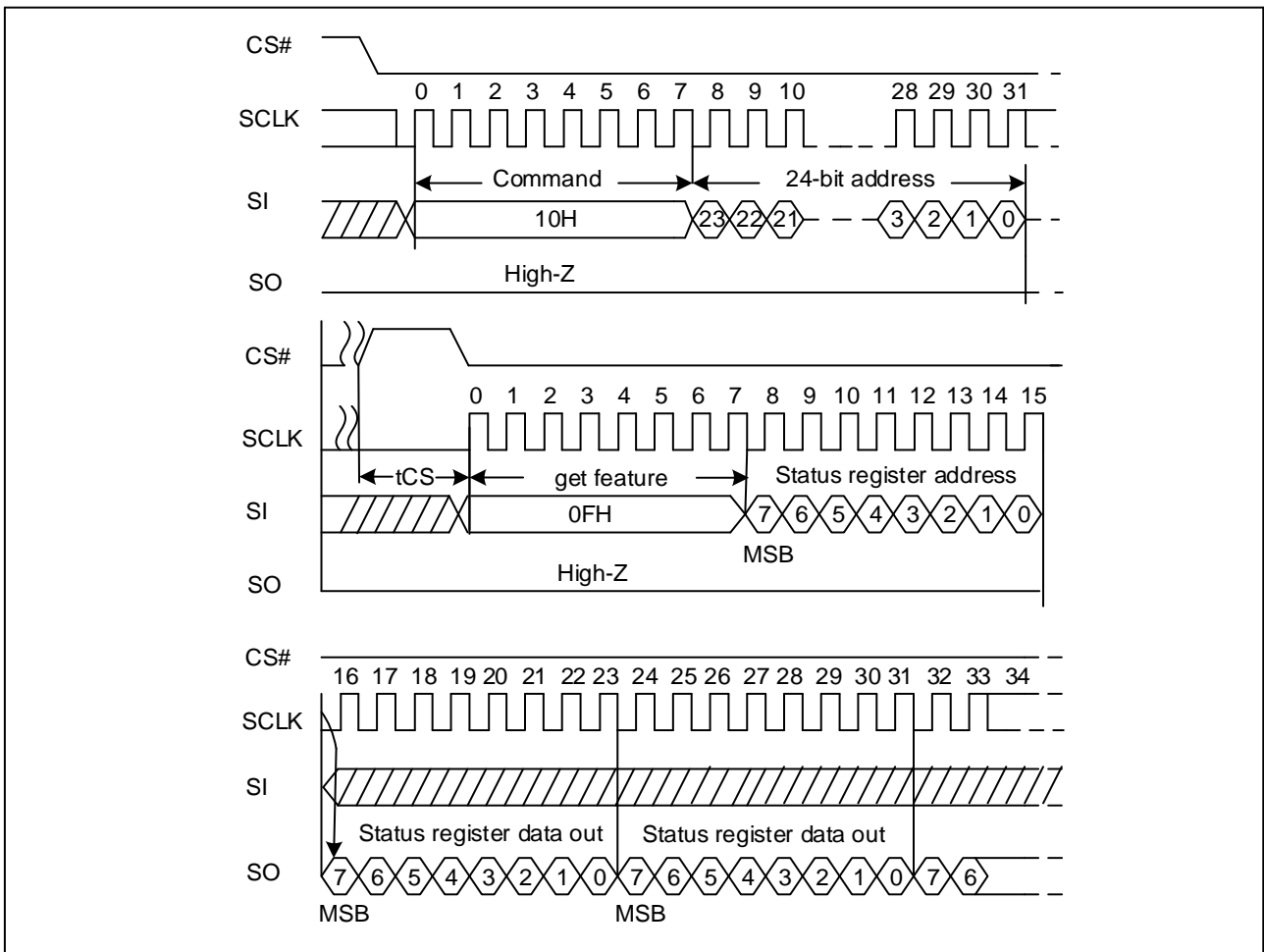


Note: When internal ECC disabled the Data Byte is 2176, when internal ECC enabled the Data Byte is 2112.

## 9.4 Program Execute (PE) (10H)

After the data is loaded, a PROGRAM EXECUTE (10H) command must be issued to initiate the transfer of data from the cache register to the main array. PROGRAM EXECUTE consists of an 8-bit Op code, followed by a 24-bit address. After the page/block address is registered, the memory device starts the transfer from the cache register to the main array, and is busy for tPROG time. This operation shown in Figure 9-3. During this busy time, the status register can be polled to monitor the status of the operation (refer to Status Register). When the operation completes successfully, the next series of data can be loaded with the PROGRAM LOAD command. The command sequence is shown below.

Figure 9-3. Program Execute Sequence Diagram



## 9.5 Internal Data Move

The INTERNAL DATA MOVE command sequence programs or replaces data in a page with existing data. The INTERNAL DATA MOVE command sequence is as follows:

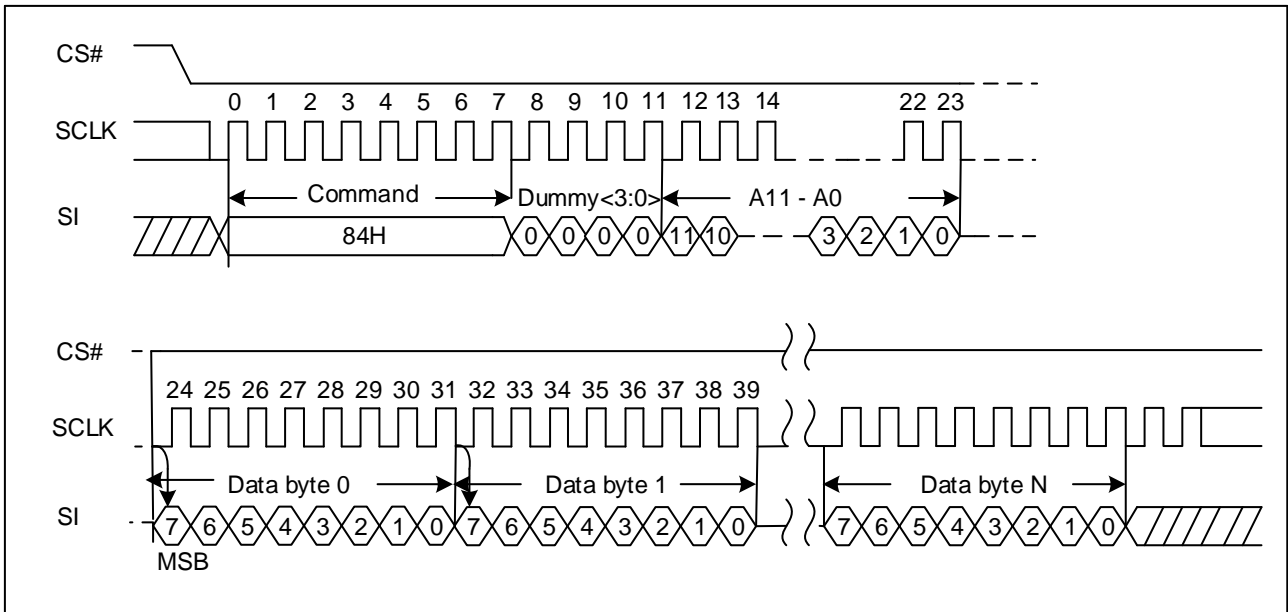
- 13H (PAGE READ to cache)
- Optional 84H/C4H/34H(PROGRAM LOAD RANDOM DATA)
- 06H (WRITE ENABLE)
- 10H (PROGRAM EXECUTE)
- 0FH (GET FEATURE command to read the status)

Prior to performing an internal data move operation, the target page content must be read out into the cache register by issuing a PAGE READ (13H) command. The PROGRAM LOAD RANDOM DATA (84H/C4H) command can be issued, if user wants to update bytes of data in the page. New data is loaded in the 12-bit column address. If the random data is not sequential, another PROGRAM LOAD RANDOM DATA (84H/C4H) command must be issued with the new column address. After the data is loaded, the WRITE ENABLE command must be issued, and then PROGRAMEXECUTE (10H) command can be issued to start the programming operation.

## 9.6 Program Load Random Data (84H)

The Program Load Random Data command programs or replaces data in a page with existing data. This command consists of an 8-bit Op code, followed by 4 dummy bits, and a 12-bit column address. New data is loaded in the column address provided with the 12 bits. If the random data is not sequential, then another PROGRAM LOAD RANDOM DATA (84H) command must be issued with a new column address, see Figure 9-4 for details.

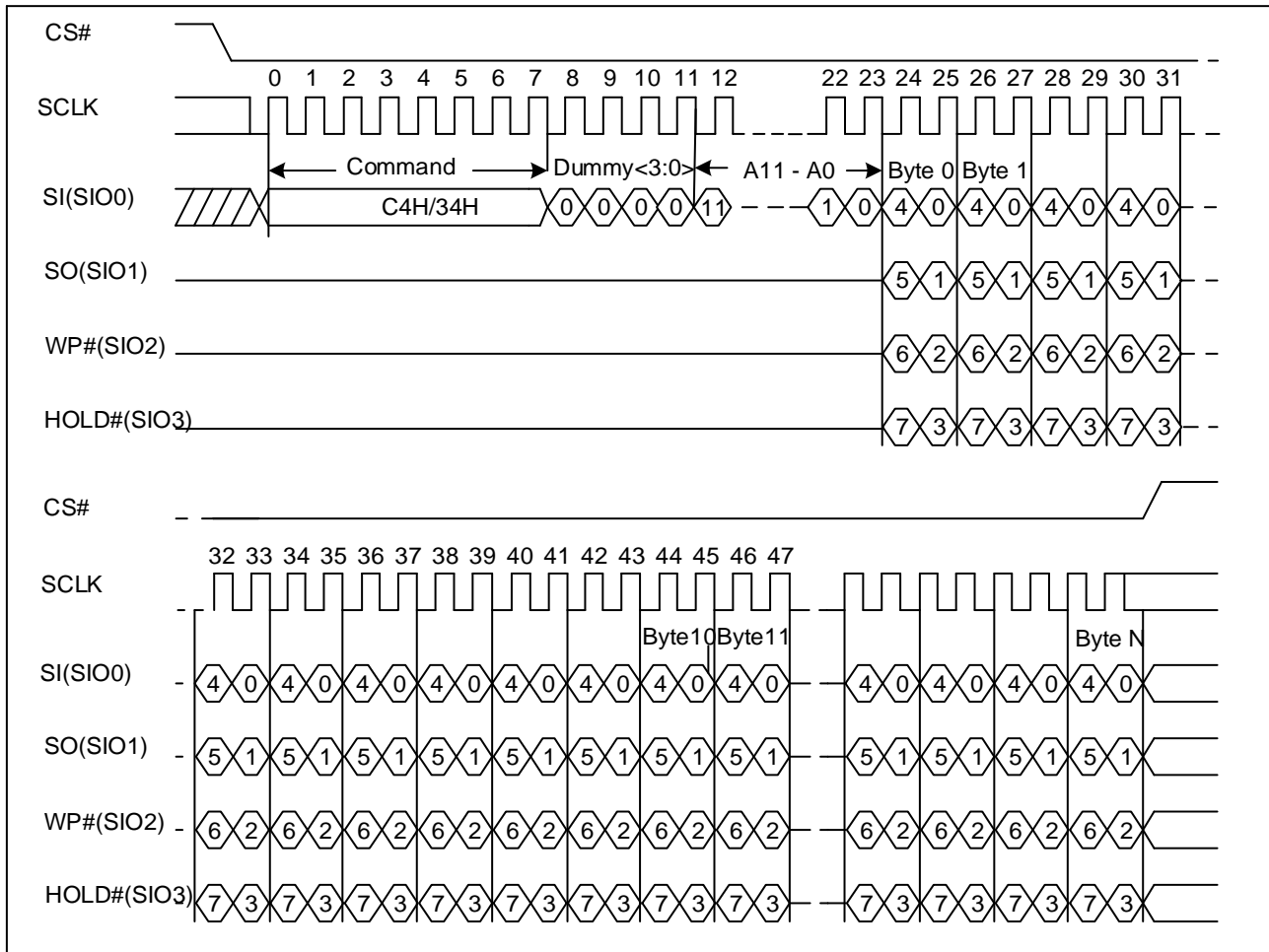
Figure 9-4. Program Load Random Data Sequence Diagram



## 9.7 Program Load Random Data x4 (C4H/34H)

The Program Load Random Data x4 command (C4H/34H) is similar to the Program Load Random Data command (84H) but with the capability to input the data bytes by four pins: SIO0, SIO1, SIO2, and SIO3. The command sequence is shown below. The Quad Enable bit (QE) of feature (B0[0]) must be set to enable for the program load random data x4 command. See Figure 9-5 for details.

Figure 9-5. Program Load Random Data x4 Sequence Diagram





# 10 ERASE OPERATIONS

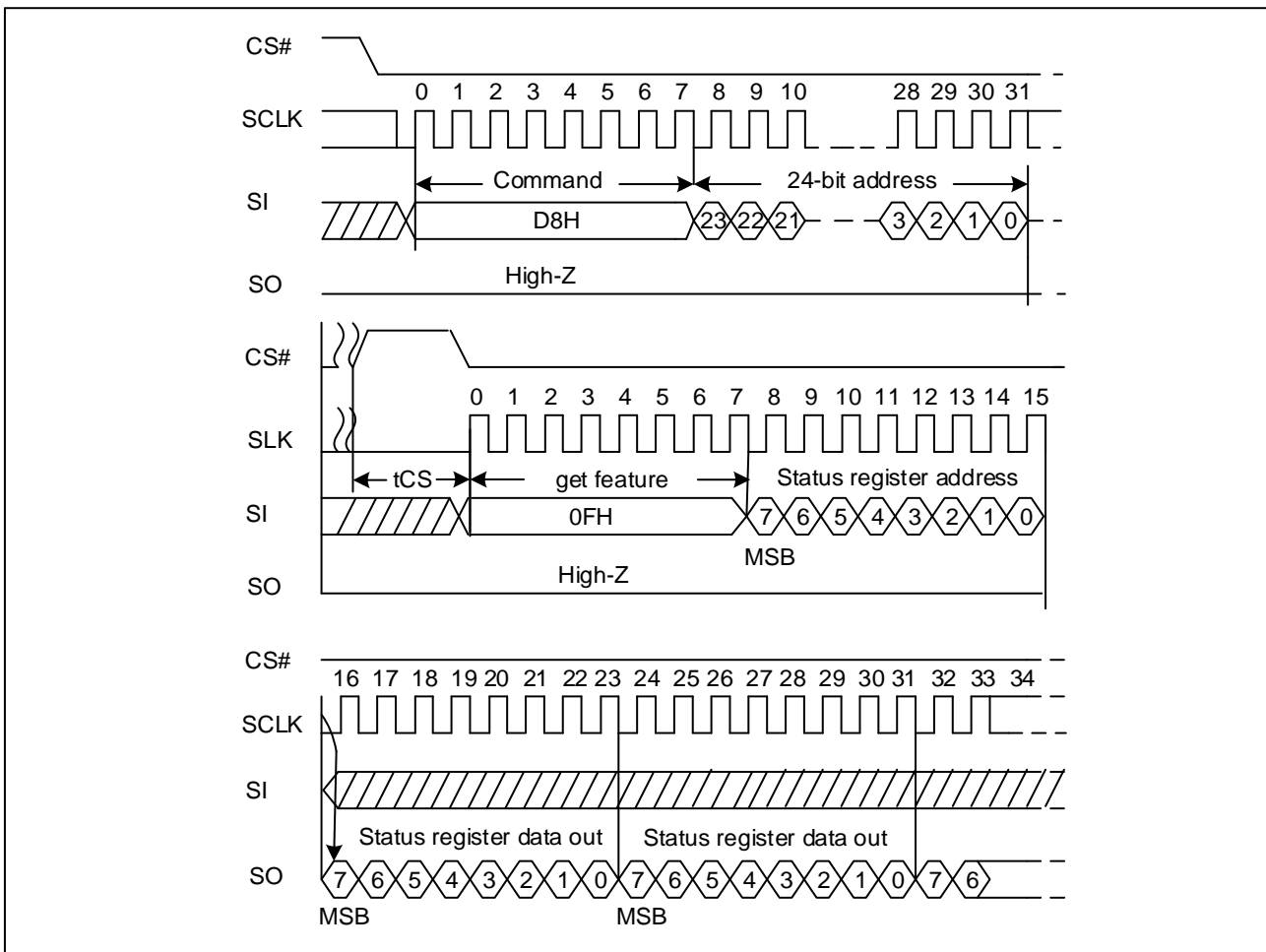
## 10.1 Block Erase (D8H)

The BLOCK ERASE (D8H) command is used to erase at the block level. The BLOCK ERASE command (D8H) operates on one block at a time. The command sequence for the BLOCK ERASE operation is as follows:

- 06H (WRITE ENBALE command)
- D8H (BLOCK ERASE command)
- 0FH (GET FEATURES command to read the status register)

Prior to performing the BLOCK ERASE operation, a WRITE ENABLE (06H) command must be issued. As with any command that changes the memory contents, the WRITE ENABLE command must be executed in order to set the WEL bit. If the WRITE ENABLE command is not issued, then the rest of the erase sequence is ignored. A WRITE ENABLE command must be followed by a BLOCK ERASE (D8H) command. This command requires a 24-bit address. After the row address is registered, the control logic automatically controls timing and erase-verify operations. The device is busy for tBERS time during the BLOCK ERASE operation. The GET FEATURES (0FH) command can be used to monitor the status of the operation.

**Figure 10. Block Erase Sequence Diagram**

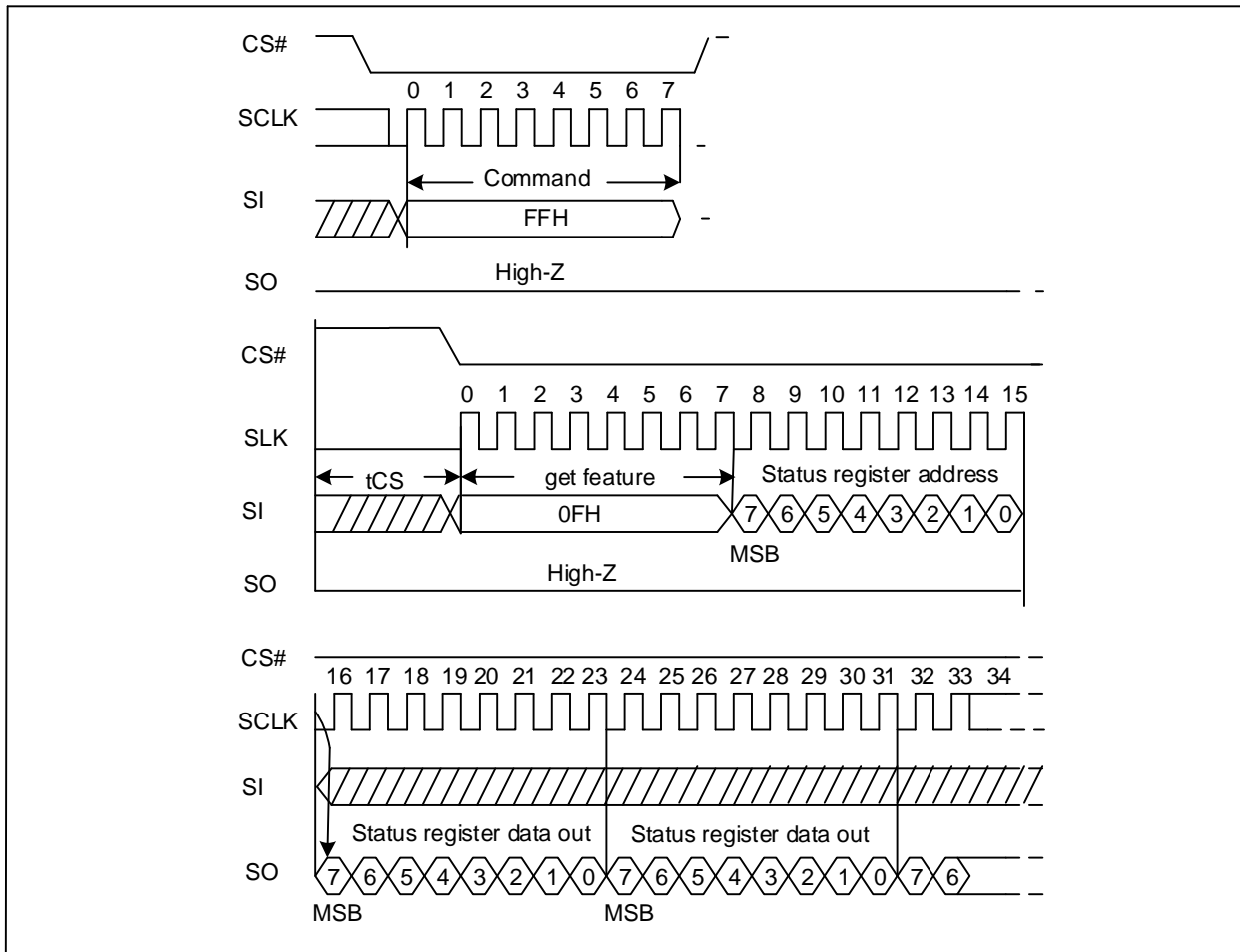


# 11 RESET OPERATIONS

## 11.1 Soft Reset (FFH)

The RESET (FFH) command stops all operations and the status. For example, in case of a program or erase or read operation, the reset command can make the device enter the idle state.

Figure 11-1. Reset Sequence Diagram



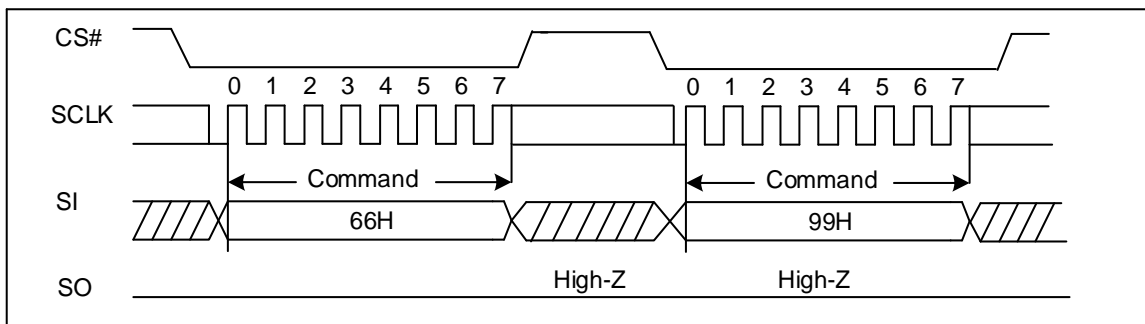
Note: The Register bit value after soft reset refers to Table 12-2. Register bit Descriptions.

## 11.2 Enable Power on Reset (66H) and Power on Reset (99H)

If the Power on Reset command is accepted, any on-going internal operation will be terminated and the device will return to its default power-on state and lose all the current feature settings.

The “Enable Reset (66H)” and the “Reset (99H)” commands can be issued in SPI mode. The “Reset (99H)” command sequence as follow: CS# goes low -> Sending Enable Reset command ->CS# goes high ->CS# goes low.->Sending Reset command ->CS# goes high. Once the Reset command is accepted by the device, the device will take approximately tVSL to reset. During this period, no command will be accepted. It is recommended to check the OIP bit in Status Register before issuing any other command sequence. The contents of the memory location being programmed or the block being erased are no longer valid.

Figure 11-2. Reset Sequence Diagram



# 12 FEATURE OPERATIONS

## 12.1 Get Features (0FH) and Set Features (1FH)

The GET FEATURES (0FH) and SET FEATURES (1FH) commands are used to monitor the device status and alter the device behavior. These commands use a 1-byte feature address to determine which feature is to be read or modified. Feature such as OTP can be enabled or disabled by setting specific feature bits (shown in the below table). The status register is mostly read, except WEL, which is a writable bit with the WRITE ENABLE (06H) command.

When a feature is set, it remains active until the device is power cycled or the feature is written to. Unless otherwise specified in the following table, once the device is set, it remains set, even if a RESET (FFH) command is issued.

**Table 12-1. Features Settings**

| Register   | Addr. | 7        | 6        | 5        | 4        | 3        | 2        | 1        | 0        |
|------------|-------|----------|----------|----------|----------|----------|----------|----------|----------|
| Protection | A0H   | BRWD     | Reserved | BP2      | BP1      | BP0      | INV      | CMP      | Reserved |
| Feature    | B0H   | OTP_PRT  | OTP_EN   | Reserved | ECC_EN   | BPL      | Reserved | Reserved | QE       |
| Status     | C0H   | Reserved | Reserved | ECCS1    | ECCS0    | P_FAIL   | E_FAIL   | WEL      | OIP      |
| Feature    | D0H   | Reserved | DS_IO[1] | DS_IO[0] | Reserved | Reserved | Reserved | Reserved | Reserved |
| Status     | F0H   | Reserved | Reserved | ECCSE1   | ECCSE0   | BPS      | Reserved | Reserved | Reserved |

- Note:
1. If BRWD is enabled and WP# is LOW, then the block lock register cannot be changed.
  2. If QE is enabled, the quad IO operations can be executed.
  3. All the reserved bits must be held low when the feature is set.
  4. These registers A0H/B0H/D0H are write/read type, and Registers C0H/F0H are read only.
  5. The OTP\_PRT is non-volatile, others bits are volatile.
  6. The Register Bit default value after power-up refers to Table 12-2. Register Bit Descriptions.
  7. The BPL bit is available on special order. Please contact GigaDevice for details.

**Table 12-2. Status Register Bit Descriptions**

| Bit                                | Bit Name                                | After Power up<br>or Power on<br>Reset(66H-99H) | After Reset<br>command<br>(FFH) | Description   |
|------------------------------------|---|---|---------------------------------|---|
| BRWD                               | Block<br>register<br>write disable      | 0   | No Change                       | Which is used combined with WP#, If BRWD is high enabled and WP# is LOW, then the Protection register cannot be changed   |
| BP2<br>BP1<br>BP0<br>INV<br>CMP    | Block<br>Protection<br>bits             | 1<br>1<br>1<br>0<br>0                           | No Change                       | used combination, refer to chapter Block Protection   |
| OTP_PRT<br>OTP_EN                  | OTP Region<br>bits                      | 0<br>0<br>Before OTP Set                        | No Change                       | used combination, refer to chapter OTP Region   |
| ECC_EN                             | ECC Enable<br>Latch                     | 1   | No Change                       | The device offers data corruption protection by offering optional internal ECC. READs and PROGRAMs with internal ECC can be enabled or disabled by setting feature bit ECC_EN. ECC is enabled by default when device powered on, so the default READ and PROGRAM commands operate with internal ECC in the “active” state when ECC enable.  |
| BPL                                | Block<br>Protection<br>Lock<br>register | 0   | No Change                       | BPL is for Power Lock Down Protection. Once the BPL bit sets as 1, the rest of the protection bits BP[0,2] , INV , CMP , BRWD can't be changed until next power cycle. By default BPL is 0 after power-on-reset and this bit default is Power Lock Down Protection disable.   |
| QE                                 | The Quad<br>Enable bit                  | 0   | No Change                       | This bit indicates that whether the quad IO operations can be executed.<br>If QE is set to 1, the quad IO operations can be executed.   |
| ECCS1<br>ECCS0<br>ECCSE1<br>ECCSE0 | ECC Status                              | Page 0 Status                                   | 0<br>0<br>0<br>0                | ECCS provides ECC status as the following table.<br>ECCS and ECCSE are set to 00b either following a RESET, or at the beginning of the READ. They are then updated after the device completes a valid READ operation.<br>ECCS and ECCSE are invalid if internal ECC is disabled (via a SET FEATURES command to reset ECC_EN to 0).<br>After power-on RESET, ECC status is set to reflect the contents of block 0, page 0. |



|                      |                          |        |           |  |
|----------------------|--------------------------|--------|-----------|--|
| P_FAIL               | Program Fail             | 0      | 0         | This bit indicates that a program failure has occurred (P_FAIL set to 1). It will also be set if the user attempts to program a protected region, including the OTP area. This bit is cleared during the PROGRAM EXECUTE command sequence or a RESET command (P_FAIL = 0).           |
| E_FAIL               | Erase Fail               | 0      | 0         | This bit indicates that an erase failure has occurred (E_FAIL set to 1). It will also be set if the user attempts to erase a locked region. This bit is cleared (E_FAIL = 0) at the start of the BLOCK ERASE command sequence or the RESET command.                                  |
| WEL                  | Write Enable Latch       | 0      | 0         | This bit indicates the current status of the write enable latch (WEL) and must be set (WEL = 1), prior to issuing a PROGRAM EXECUTE or BLOCK ERASE command. It is set by issuing the WRITE ENABLE command. WEL can also be disabled (WEL = 0), by issuing the WRITE DISABLE command. |
| OIP                  | Operation In Progress    | 0      | 0         | This bit is set (OIP = 1 ) when a PROGRAM EXECUTE, PAGE READ, BLOCK ERASE, or RESET command is executing, indicating the device is busy. When the bit is 0, the interface is in the ready state.   |
| DS_IO[1]<br>DS_IO[0] | Driven Strength register | 0<br>0 | No Change | IO driver strength setting. Default is 00b.  |
| BPS                  | Block Protection Status  | 1      | No Change | Block protection status<br>BPS is 1, selected block is protected<br>BPS is 0, selected block is unprotected.   |

Figure 12-1. Get Features Sequence Diagram

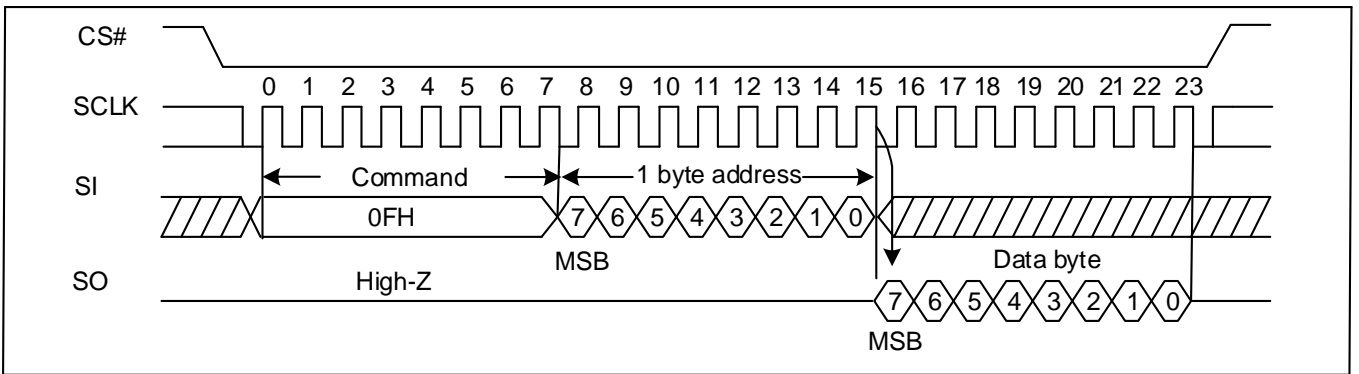
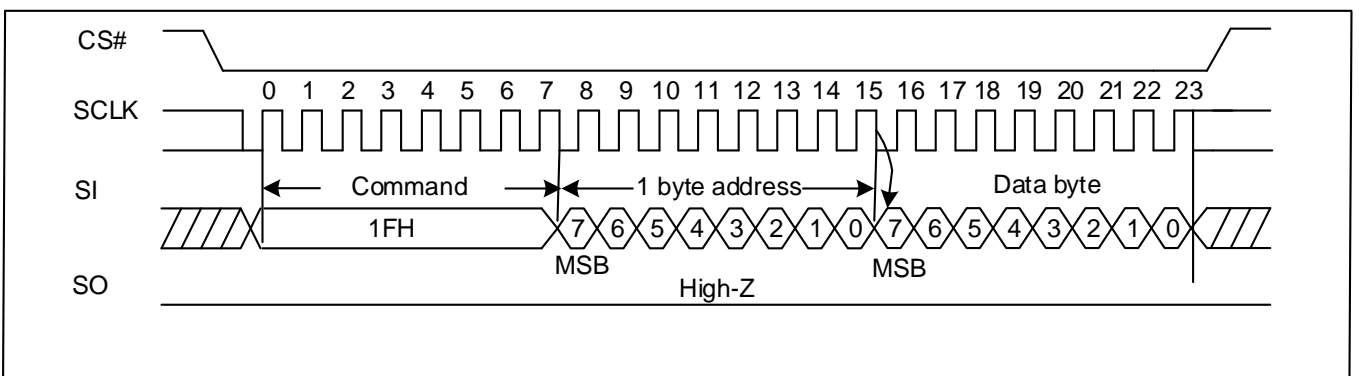


Figure 12-2. Set Features Sequence Diagram



## 12.2 Status Register and Driver Register

The NAND Flash device has an 8-bit status register that software can read during the device operation for operation state query. The status register can be read by issuing the GET FEATURES (0FH) command, followed by the feature address C0h (see FEATURE OPERATION). The Output Driver Register can be set and read by issuing the SET FEATURE (0FH) and GET FEATURE command followed by the feature address D0h (see FEATURE OPERATION).

**Table 12-3. ECC Error Bits Descriptions**

| ECCS1 | ECCS0 | ECCSE1 | ECCSE0 | Description  |
|-------|-------|--------|--------|--|
| 0     | 0     | x      | x      | No bit errors were detected during the previous read algorithm   |
| 0     | 1     | 0      | 0      | Bit errors(=1) were detected and corrected                       |
| 0     | 1     | 0      | 1      | Bit errors (=2) were detected and corrected.                     |
| 0     | 1     | 1      | 0      | Bit errors (=3) were detected and corrected.                     |
| 0     | 1     | 1      | 1      | Bit errors (=4) were detected and corrected.                     |
| 1     | 1     | x      | x      | Reserved   |
| 1     | 0     | x      | x      | Bit errors greater than ECC capability(4 bits) and not corrected |

**Table 12-4. Driver Register Bits Descriptions**

| DS_IO[1] | DS_IO[0] | Driver Strength |
|----------|----------|-----------------|
| 0        | 0        | 100%(Default)   |
| 0        | 1        | 75%             |
| 1        | 0        | 50%             |
| 1        | 1        | 25%             |



## 12.3 OTP Region

The serial device offers a protected, One-Time Programmable NAND Flash memory area. 4 full pages are available on the device. Customers can use the OTP area any way they want, like programming serial numbers, or other data, for permanent storage. When delivered from factory, feature bit OTP\_PRT is 0. To access the OTP feature, the user must set feature bits OTP\_EN/OTP\_PRT by SET FEATURES command. When the OTP is ready for access, pages 00h–03H can be programmed in sequential order by PROGRAM LOAD (02H) and PROGRAM EXECUTE (10H) commands (when not yet protected), and read out by PAGE READ (13H) command and output data by READ from CACHE (03H/0BH/3BH/6BH/BBH/EBH).

When ECC is enabled, data written in the OTP area is ECC protected.

**Table 12-5.OTP States**

| OTP_PRT | OTP_EN | State   |
|---------|--------|---|
| x       | 0      | Normal Operation  |
| 0       | 1      | Access OTP region, read and program data  |
| 1       | 1      | 1. When the device power on state OTP_PRT is 0, user can set feature bit OTP_PRT and OTP_EN to 1, then issue PROGRAM EXECUTE (10H) to lock OTP, and after that OTP_PRT will permanently remain 1.<br>2. When the device power on state OTP_PRT is 1, user can only read the OTP region data |

Note: The OTP space cannot be erased and after it has been protected, it cannot be programmed again, please use this function carefully.

Access to OTP data

- Issue the SET FEATURES command (1FH)
- Set feature bit OTP\_EN
- Issue the PAGE PROGRAM (only when OTP\_PRT is 0) or PAGE READ command

Protect OTP region

Only when the following steps are completed, the OTP\_PRT will be set and users can get this feature out with 0FH command.

- Issue the SET FEATURES command (1FH)
- Set feature bit OTP\_EN and OTP\_PRT
- 06H (WRITE ENABLE)
- Issue the PROGRAM EXECUTE (10H) command.

## 12.4 Assistant Bad Block Management

As a NAND Flash, the device may have blocks that are invalid when shipped from the factory, and a minimum number of valid blocks (NVB) of the total available blocks are specified. An invalid block is one that contains at least one page that has more bad bits than can be corrected by the minimum required ECC. Additional bad blocks may develop with use. However, the total number of available blocks will not fall below NVB during the endurance life of the product.

Although NAND Flash memory devices may contain bad blocks, they can be used reliably in systems that provide bad-block management and error-correction algorithms, which ensure data integrity. Internal circuitry isolates each block from other blocks, so the presence of a bad block does not affect the operation of the rest of the NAND Flash array.

NAND Flash devices are shipped from the factory erased. The factory identifies invalid blocks before shipping by programming the Bad Block Mark (00h) to the first spare area location in each bad block. This method is compliant with ONFI Factory Defect Mapping requirements. See the following table for the bad-block mark.

System software should initially check the first spare area location for non-FFH data on the first page of each block prior to performing any program or erase operations on the NAND Flash device. A bad-block table can then be created, enabling system software to map around these areas. Factory testing is performed under worst-case conditions. Because invalid blocks may be marginal, it may not be possible to recover the bad-block marking if the block is erased.

To simplify the system requirement and guard the data integration, GigaDevice SPI NAND provides assistant Management options as below.

**Table 12-6. Bad Block Mark information**

| Description                          | Requirement               |
|--------------------------------------|---------------------------|
| Minimum number of valid blocks (NVB) | 1004                      |
| Total available blocks per die       | 1024                      |
| First spare area location            | Byte 2048                 |
| Bad-block mark                       | 00h(use non FFH to check) |

## 12.5 Block Protection

The block lock feature provides the ability to protect the entire device, or ranges of blocks, from the PROGRAM and ERASE operations. After power-up, the device is in the “locked” state, i.e., feature bits BP0, BP1 and BP2 are set to 1, INV, CMP and BRWD are set to 0. To unlock all the blocks, or a range of blocks, the SET FEATURES command must be issued to alter the state of protection feature bits. When BRWD is set and WP# is LOW, none of the writable protection feature bits can be set. Also, when a PROGRAM/ERASE command is issued to a locked block, status bit OIP remains 0. When an ERASE command is issued to a locked block, the erase failure, status bit E\_FAIL set to 1. When a PROGRAM command is issued to a locked block, program failure, status bit P\_FAIL set to 1.

To enable the Write Protection (WP#), the Quad Enable bit (QE) of feature (B0[0]) must be set to 0.

**Table 12-7. Block Lock Register Block Protect Bits**

| CMP | INV | BP2 | BP1 | BP0 | Protect Row Address | Protect Rows         |
|-----|-----|-----|-----|-----|---------------------|----------------------|
| x   | x   | 0   | 0   | 0   | None                | None—all unlocked    |
| 0   | 0   | 0   | 0   | 1   | FC00h~FFFFH         | Upper 1/64 locked    |
| 0   | 0   | 0   | 1   | 0   | F800h~FFFFH         | Upper 1/32 locked    |
| 0   | 0   | 0   | 1   | 1   | F000h~FFFFH         | Upper 1/16 locked    |
| 0   | 0   | 1   | 0   | 0   | E000h~FFFFH         | Upper 1/8 locked     |
| 0   | 0   | 1   | 0   | 1   | C000h~FFFFH         | Upper 1/4 locked     |
| 0   | 0   | 1   | 1   | 0   | 8000h~FFFFH         | Upper 1/2 locked     |
| x   | x   | 1   | 1   | 1   | 0000h~FFFFH         | All locked (default) |
| 0   | 1   | 0   | 0   | 1   | 0000h~03FFH         | Lower 1/64 locked    |
| 0   | 1   | 0   | 1   | 0   | 0000h~07FFH         | Lower 1/32 locked    |
| 0   | 1   | 0   | 1   | 1   | 0000h~0FFFH         | Lower 1/16 locked    |
| 0   | 1   | 1   | 0   | 0   | 0000h~1FFFH         | Lower 1/8 locked     |
| 0   | 1   | 1   | 0   | 1   | 0000h~3FFFH         | Lower 1/4 locked     |
| 0   | 1   | 1   | 1   | 0   | 0000h~7FFFH         | Lower 1/2 locked     |
| 1   | 0   | 0   | 0   | 1   | 0000h~FBFFH         | Lower 63/64 locked   |
| 1   | 0   | 0   | 1   | 0   | 0000h~F7FFH         | Lower 31/32 locked   |
| 1   | 0   | 0   | 1   | 1   | 0000h~EFFFH         | Lower 15/16 locked   |
| 1   | 0   | 1   | 0   | 0   | 0000h~DFFFH         | Lower 7/8 locked     |
| 1   | 0   | 1   | 0   | 1   | 0000h~BFFFH         | Lower 3/4 locked     |
| 1   | 0   | 1   | 1   | 0   | 0000h~003FH         | Block0               |
| 1   | 1   | 0   | 0   | 1   | 0400h~FFFFH         | Upper 63/64 locked   |
| 1   | 1   | 0   | 1   | 0   | 0800h~FFFFH         | Upper 31/32 locked   |
| 1   | 1   | 0   | 1   | 1   | 1000h~FFFFH         | Upper 15/16 locked   |
| 1   | 1   | 1   | 0   | 0   | 2000h~FFFFH         | Upper 7/8 locked     |
| 1   | 1   | 1   | 0   | 1   | 4000h~FFFFH         | Upper 3/4 locked     |
| 1   | 1   | 1   | 1   | 0   | 0000h~003FH         | Block0               |

When WP# is not LOW, user can issue bellows commands to alter the protection states as want.

- Issue SET FEATURES register write (1FH)
- Issue the feature bit address (A0h) and the feature bits combination as the table

## 12.6 Power Lock Down Protection

The Power lock down protection prevent the block protection state from software modifications. After it is enabled, this protection cannot be disabled by a software command. Also, BP[0,2] , INV , CMP and BRWD bits are protected from further software change. Only another power cycle can disable the Power Lock Down Protection.

When the Hardware Protection is disabled during quad or x4 mode, Power Lock Down Protection can be used to prevent a block protection state change.

To enable the Power Lock Down Protection, perform the following command sequence:

- Issue the SET FEATURES command (with address B0H) to set the feature bit BPL to 1:

Note: This feature is available on special order. Please contact GigaDevice for details.

## 12.7 Internal ECC

The device offers data corruption protection by offering optional internal ECC. READs and PROGRAMs with internal ECC can be enabled or disabled by setting feature bit ECC\_EN. ECC is enabled by default when device powered on, so the default READ and PROGRAM commands operate with internal ECC in the “active” state when ECC enable.

To enable/disable ECC, perform the following command sequence:

- Issue the SET FEATURES command (1FH) to set the feature bit ECC\_EN:
  1. To enable ECC, Set ECC\_EN to 1.
  2. To disable ECC, Clear ECC\_EN to 0.

During a PROGRAM operation, the device calculates an ECC code on the 2k page in the cache register, before the page is written to the NAND Flash array.

During a READ operation, the page data is read from the array to the cache register, where the ECC code is calculated and compared with the ECC code value read from the array. If error bits are detected, the error is corrected in the cache register. Only corrected data is output on the I/O bus. The ECC status bit indicates whether or not the error correction was successful. The ECC Protection table below shows the ECC protection scheme used throughout a page.

The ECC protection format as follow:

- User meta data I is not protected by internal ECC and User meta data II is protected by internal ECC.

Any data wrote to the ECC parity data area are ignored when ECC enabled.

**Table 12-8. The Distribution of ECC Segment and Spare Area in a Page**

| Main Area(2KB) |        |        |        | Spare Area(128B)     |          |          |          |                 |        |        |        |
|----------------|--------|--------|--------|----------------------|----------|----------|----------|-----------------|--------|--------|--------|
| User data      |        |        |        | User meta data(I+II) |          |          |          | ECC Parity Data |        |        |        |
| Main0          | Main1  | Main2  | Main3  | Spare0               | Spare1   | Spare2   | Spare3   | Spare0          | Spare1 | Spare2 | Spare3 |
| (512B)         | (512B) | (512B) | (512B) | (4B+12B)             | (4B+12B) | (4B+12B) | (4B+12B) | (16B)           | (16B)  | (16B)  | (16B)  |

**Table 12-9. ECC Protection and Spare Area**

| Max Byte Address | Min Byte Address | ECC Protected | Area    | Description                       |
|------------------|------------------|---------------|---------|-----------------------------------|
| 1FFH             | 000H             | Yes           | Main 0  | User data 0                       |
| 3FFH             | 200H             | Yes           | Main 1  | User data 1                       |
| 5FFH             | 400H             | Yes           | Main 2  | User data 2                       |
| 7FFH             | 600H             | Yes           | Main 3  | User data 3                       |
| 803H             | 800H             | No            | Spare 0 | User meta 0 data I <sup>(1)</sup> |
| 80FH             | 804H             | Yes           | Spare 0 | User meta 0 data II               |
| 813H             | 810H             | No            | Spare 1 | User meta 1 data I                |
| 81FH             | 814H             | Yes           | Spare 1 | User meta 1 data II               |
| 823H             | 820H             | No            | Spare 2 | User meta 2 data I                |
| 82FH             | 824H             | Yes           | Spare 2 | User meta 2 data II               |
| 833H             | 830H             | No            | Spare 3 | User meta 3 data I                |
| 83FH             | 834H             | Yes           | Spare 3 | User meta 3 data II               |
| 84FH             | 840H             | Yes           | Spare 0 | ECC Parity Data                   |
| 85FH             | 850H             | Yes           | Spare 1 | ECC Parity Data                   |
| 86FH             | 860H             | Yes           | Spare 2 | ECC Parity Data                   |
| 87FH             | 870H             | Yes           | Spare 3 | ECC Parity Data                   |

**Note**

1. 800H is reserved for initial bad block mark.
2. When ECC is on, user cannot program the Address 840H~87FH, but user can read the Address 840H~87FH.
3. When ECC is off, the whole page area is open for user. And we recommend the user to provide external ECC protection.

# 13 POWER ON TIMING

Figure 13. Power on Timing Sequence

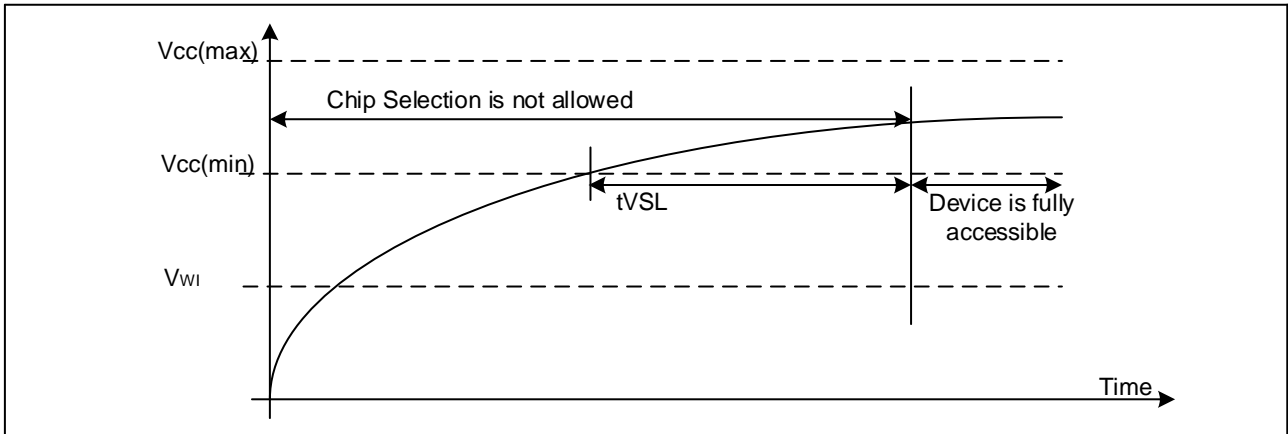


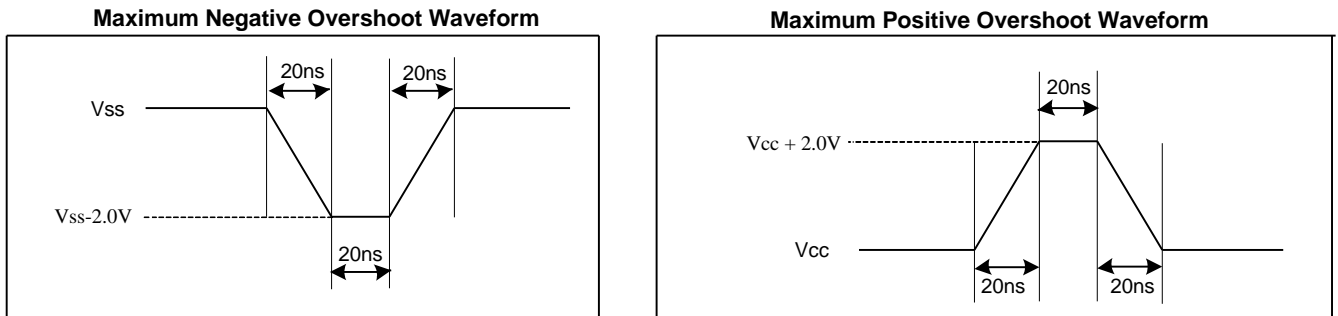
Table 13. Power-On Timing and Write Inhibit Threshold for 3.3V

| Symbol | Parameter           | Min | Max  | Unit |
|--------|---------------------|-----|------|------|
| tVSL   | VCC(min) To CS# Low | 1   |      | ms   |
| VWI    |                     |     | 3.3V |      |

# 14 ABSOLUTE MAXIMUM RATINGS

| Parameter                      | Value                    | Unit |
|--------------------------------|--------------------------|------|
| Ambient Operating Temperature  | -40 to 85<br>/-40 to 105 | °C   |
| Storage Temperature            | -65 to 150               | °C   |
| Applied Input / Output Voltage | -0.6 to VCC+0.4          | V    |
| VCC(3.3V)                      | -0.6 to 4.0              | V    |

Figure 14. Overshoot Waveform

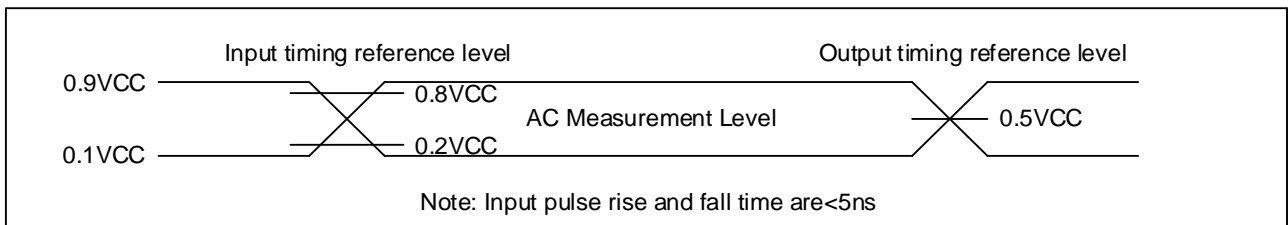




# 15 CAPACITANCE MEASUREMENT CONDITIONS

| Symbol | Parameter                       | Min              | Typ | Max | Unit | Conditions |
|--------|---------------------------------|------------------|-----|-----|------|------------|
| CIN    | Input Capacitance               |                  |     | 6   | pF   | VIN=0V     |
| COUT   | Output Capacitance              |                  |     | 8   | pF   | VOUT=0V    |
| CL     | Load Capacitance                | 30               |     |     | pF   |            |
|        | Input Rise And Fall time        |                  |     | 5   | ns   |            |
|        | Input Pulse Voltage             | 0.1VCC to 0.9VCC |     |     | V    |            |
|        | Input Timing Reference Voltage  | 0.2VCC to 0.8VCC |     |     | V    |            |
|        | Output Timing Reference Voltage | 0.5VCC           |     |     | V    |            |

Figure 15. Input Test Waveform and Measurement Level



# 16 DC CHARACTERISTIC

(T= -40°C~85°C/ -40°C~105°C, 2.7~3.6V)

| Symbol           | Parameter                   | Test Condition   | Min.    | Typ | Max.    | Unit. |
|------------------|-----------------------------|--|---------|-----|---------|-------|
| I <sub>LI</sub>  | Input Leakage Current       |  |         |     | ±10     | μA    |
| I <sub>LO</sub>  | Output Leakage Current      |  |         |     | ±10     | μA    |
| I <sub>CC1</sub> | Standby Current             | CS#=VCC,<br>V <sub>IN</sub> =VCC or VSS                  |         | 15  | 50      | μA    |
| I <sub>CC2</sub> | Operating Current (Read)    | CLK=0.1VCC / 0.9VCC<br>at 133MHz,<br>Q=Open(*1*2,*4 I/O) |         | 15  | 30      | mA    |
| I <sub>CC3</sub> | Operating Current (Program) |  |         | 15  | 30      | mA    |
| I <sub>CC4</sub> | Operating Current (Erase)   |  |         | 15  | 30      | mA    |
| V <sub>IL</sub>  | Input Low Voltage           |  | -0.5    |     | 0.2VCC  | V     |
| V <sub>IH</sub>  | Input High Voltage          |  | 0.8VCC  |     | VCC+0.4 | V     |
| V <sub>OL</sub>  | Output Low Voltage          | I <sub>OL</sub> =1.6mA                                   |         |     | 0.4     | V     |
| V <sub>OH</sub>  | Output High Voltage         | I <sub>OH</sub> =-100μA                                  | VCC-0.2 |     |         | V     |

# 17 AC CHARACTERISTICS

(T= -40°C~85°C/ -40°C~105°C, VCC=2.7~3.6V, CL=30pf)

| Symbol    | Parameter                                 | 3.3V  |      | Unit. |
|-----------|---|-------|------|-------|
|           |   | Min.  | Max. |       |
| FC1       | Serial Clock Frequency                    |       | 133  | MHz   |
| FC_DTR    | Serial Clock Frequency For: DTR           |       | 70   | MHz   |
| tCH       | Serial Clock High Time                    | 3.375 |      | ns    |
| tCL       | Serial Clock Low Time                     | 3.375 |      | ns    |
| tCLCH     | Serial Clock Rise Time (Slew Rate)        | 0.2   |      | V/ns  |
| tCHCL     | Serial Clock Fall Time (Slew Rate)        | 0.2   |      | V/ns  |
| tCHSH     | CS# Active Hold Time                      | 5     |      | ns    |
| tSHCH     | CS# Not Active Setup Time                 | 5     |      | ns    |
| tSLCH     | CS# Active Setup Time                     | 5     |      | ns    |
| tCHSL     | CS# Not Active Hold Time                  | 5     |      | ns    |
| tSHSL/tCS | CS# High Time                             | 20    |      | ns    |
| tSHQZ     | Output Disable Time                       |       | 20   | ns    |
| tCLQX     | Output Hold Time                          | 2     |      | ns    |
| tDVCH     | Data In Setup Time                        | 2     |      | ns    |
| tCHDX     | Data In Hold Time                         | 2     |      | ns    |
| tHLCH     | Hold# Low Setup Time (relative to Clock)  | 5     |      | ns    |
| tHHCH     | Hold# High Setup Time (relative to Clock) | 5     |      | ns    |
| tCHHL     | Hold# High Hold Time (relative to Clock)  | 5     |      | ns    |
| tCHHH     | Hold# Low Hold Time (relative to Clock)   | 5     |      | ns    |
| tHLQZ     | Hold# Low To High-Z Output                |       | 15   | ns    |
| tHHQX     | Hold# High To Low-Z Output                |       | 15   | ns    |
| tCLQV     | Clock Low To Output Valid (30pf)          |       | 7    | ns    |
| tWHSL     | WP# Setup Time Before CS# Low             | 20    |      | ns    |
| tSHWL     | WP# Hold Time After CS# High              | 100   |      | ns    |

Note:

Value guaranteed by design and/or characterization, not 100% tested in production  
Please contact GigaDevice when there is a need to use the EEh command for DTR.

# 18 PERFORMANCE AND TIMING

| Symbol    | Parameter                                 | Min. | Typ. | Max. | Unit. |
|-----------|---|------|------|------|-------|
| tRST      | CS# High To Next Command After Reset(FFh) |      |      | 500  | us    |
| tRD       | Read From Array                           |      |      | 25   | us    |
| tRD_ECC   | Read From Array with ECC                  |      | 45   | 60   | us    |
| tPROG     | Page Programming Time                     |      | 300  | 600  | us    |
| tPROG_ECC | Page Programming Time with ECC            |      | 400  | 600  | us    |
| tBERS     | Block Erase Time                          |      | 3    | 10   | ms    |

Figure 18-1. Serial Input Timing

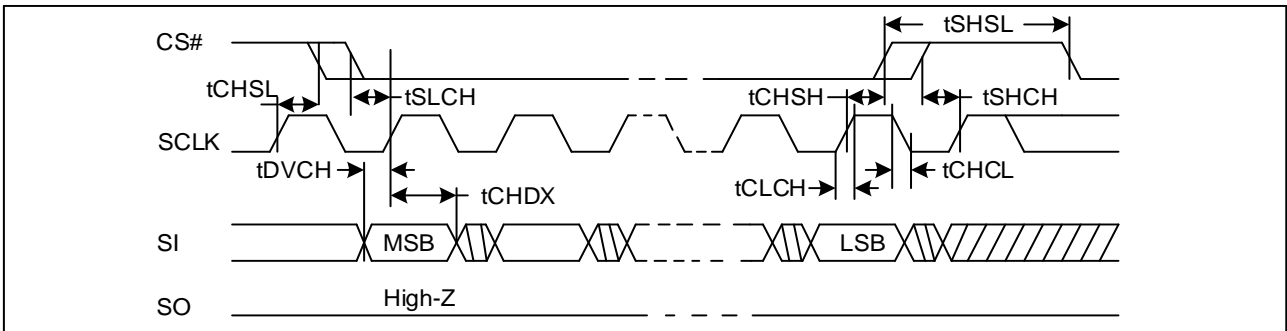


Figure 18-2. Output Timing

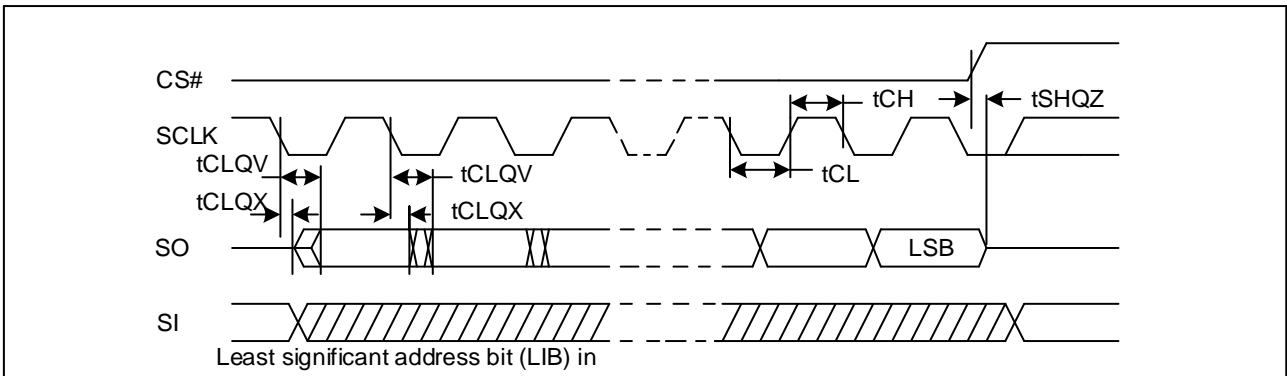
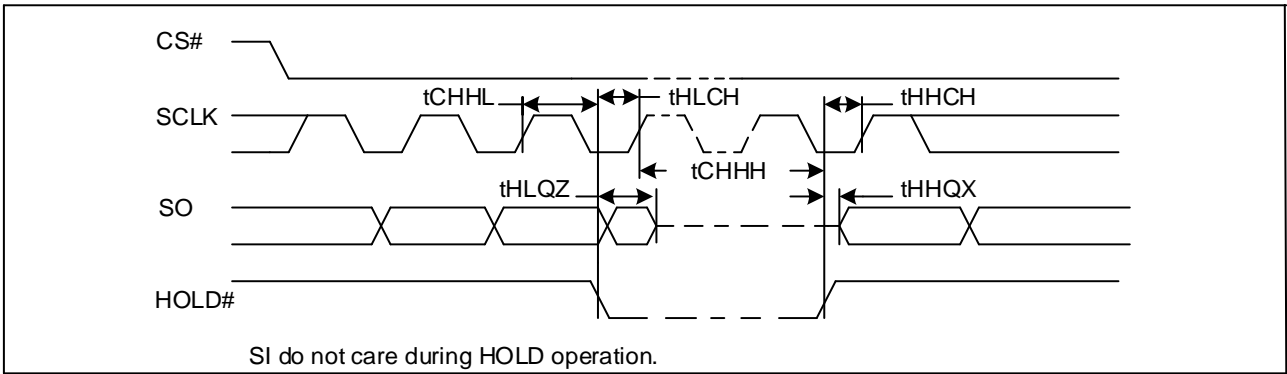
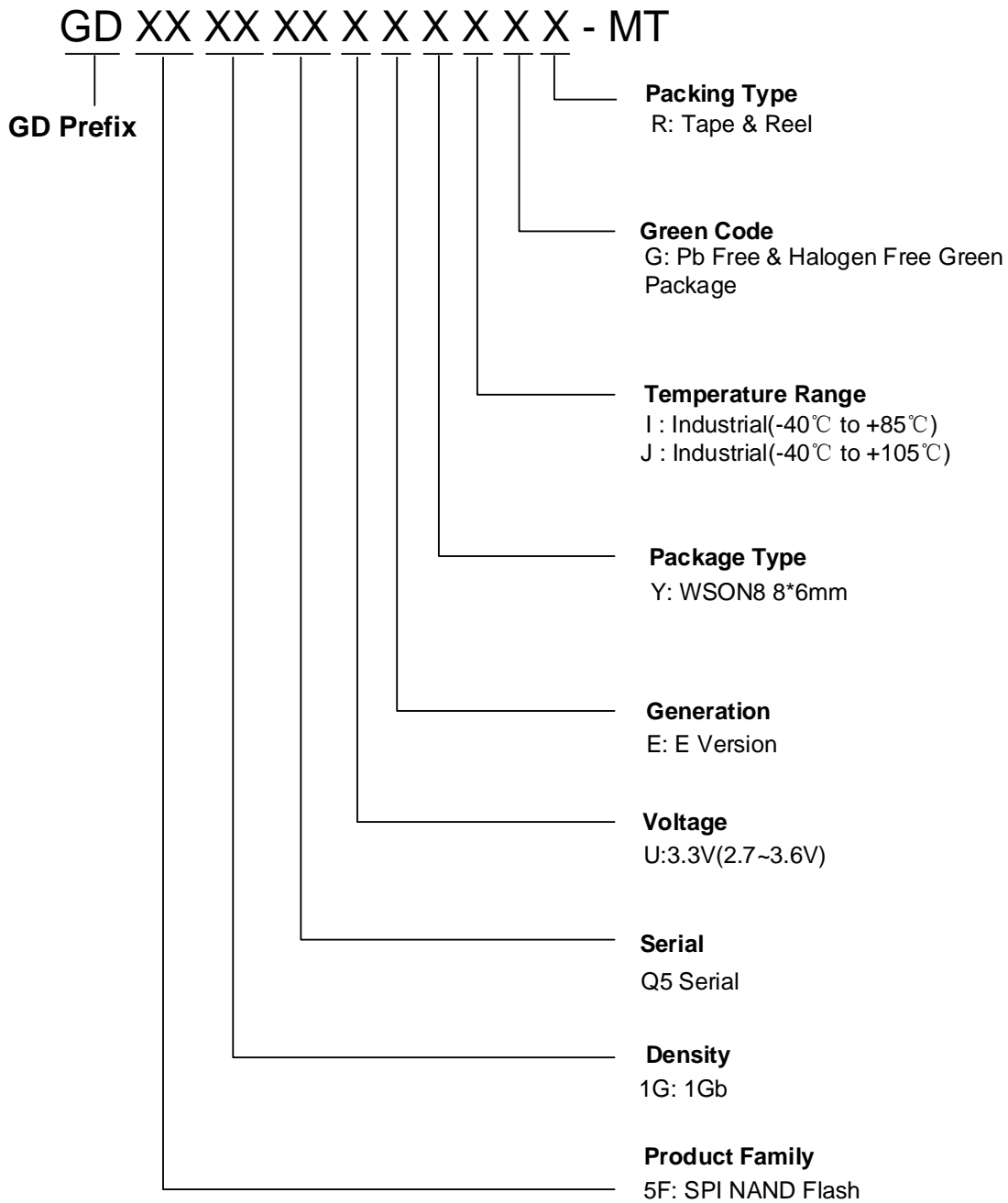


Figure 18-3. Hold Timing

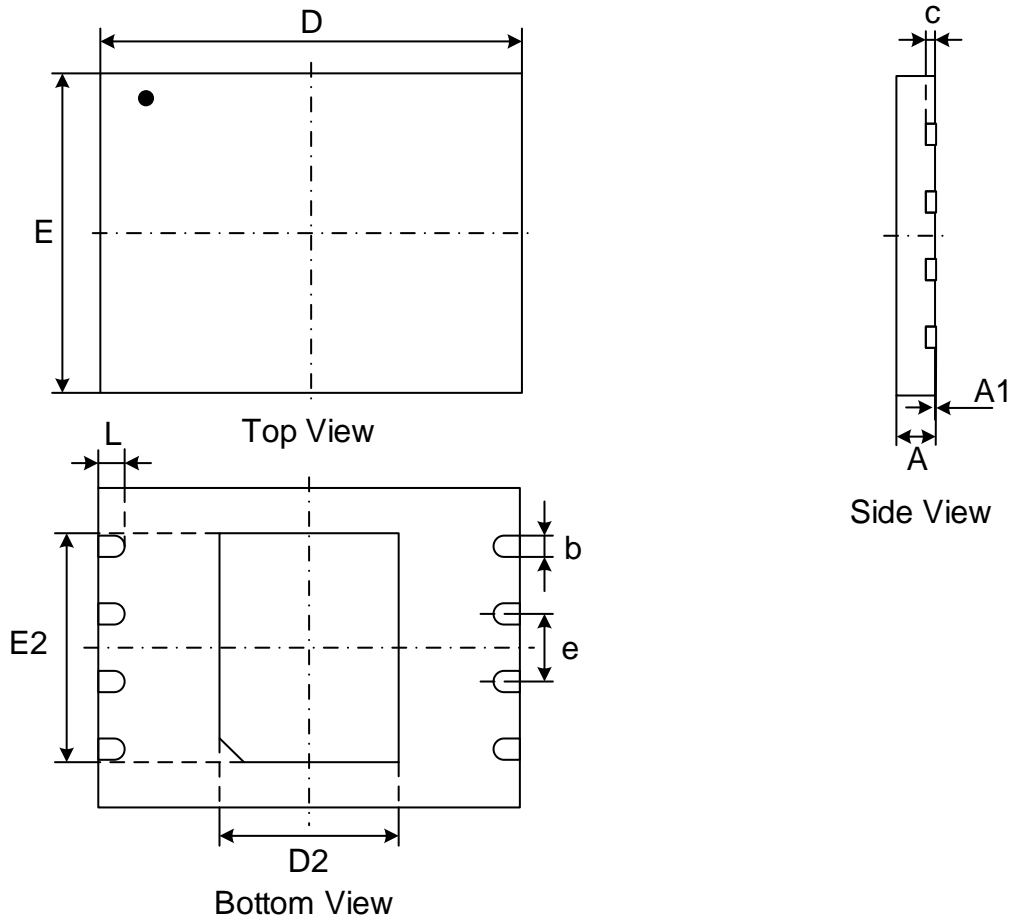


# 19 ORDERING INFORMATION



## 20 PACKAGE INFORMATION

Figure 20-1. WSON8 (8\*6mm)



### Dimensions

| Symbol |     | A     | A1    | c     | b     | D     | D2    | E     | E2    | e    | L     |
|--------|-----|-------|-------|-------|-------|-------|-------|-------|-------|------|-------|
| Unit   |     |       |       |       |       |       |       |       |       |      |       |
| mm     | Min | 0.70  | 0.00  | 0.180 | 0.35  | 7.90  | 3.30  | 5.90  | 4.20  | 1.27 | 0.45  |
|        | Nom | 0.75  | 0.02  | 0.203 | 0.40  | 8.00  | 3.40  | 6.00  | 4.30  |      | 0.50  |
|        | Max | 0.80  | 0.05  | 0.250 | 0.45  | 8.10  | 3.50  | 6.10  | 4.40  |      | 0.55  |
| Inch   | Min | 0.028 | 0     | 0.007 | 0.014 | 0.311 | 0.130 | 0.232 | 0.165 | 0.05 | 0.018 |
|        | Nom | 0.030 | 0.001 | 0.008 | 0.016 | 0.315 | 0.134 | 0.236 | 0.169 |      | 0.020 |
|        | Max | 0.032 | 0.002 | 0.010 | 0.018 | 0.319 | 0.138 | 0.240 | 0.173 |      | 0.022 |

## 21 REVISION HISTORY

| Version No | Description  | Page                          | Date       |
|------------|--|-------------------------------|------------|
| 1.0        | Initial Release  |                               | 2020-05-08 |
| 1.1        | Release Industrial 105° and Industrial+ 85° product<br>Update 105° test condition  | 6<br>53/54                    | 2020-06-11 |
| 1.2        | Add BBh & EBh Command  | 14/22/23                      | 2020-11-17 |
| 1.3        | Add BGA24 5x5Ball Package<br>Add BGA24 CONNECTION DIAGRAM  | 62<br>6                       | 2021-02-09 |
| 1.4        | Modify the description of "the initial Bad Block Mark with internal ECC off."<br>Remove the description of the 84h/C4h/34h must be use in internal data move<br>Add Note of" Value guaranteed by design and/or characterization, not 100% tested in production"<br>Modify the error description "Program an invalid address will cause P_Fail" | 51<br>14/36/37<br>56/57<br>44 | 2021-11-11 |
| 1.5        | Add DC CHARACTERISTIC Standby Current and Operation Current typical value  | 56                            | 2023-03-10 |
| 1.6        | Add CASN Page<br>Remove 1.8V Product<br>Remove WSON8 6x5 package and BGA24 package   | 32-41                         | 2024-8-26  |



## Important Notice

This document is the property of GigaDevice Semiconductor (Beijing) Inc. and its subsidiaries (the "Company"). This document, including any product of the Company described in this document (the "Product"), is owned by the Company under the intellectual property laws and treaties of the People's Republic of China and other jurisdictions worldwide. The Company reserves all rights under such laws and treaties and does not grant any license under its patents, copyrights, trademarks, or other intellectual property rights. The names and brands of third party referred thereto (if any) are the property of their respective owner and referred to for identification purposes only.

The Company makes no warranty of any kind, express or implied, with regard to this document or any Product, including, but not limited to, the implied warranties of merchantability and fitness for a particular purpose. The Company does not assume any liability arising out of the application or use of any Product described in this document. Any information provided in this document is provided only for reference purposes. It is the responsibility of the user of this document to properly design, program, and test the functionality and safety of any application made of this information and any resulting product. Except for customized products which has been expressly identified in the applicable agreement, the Products are designed, developed, and/or manufactured for ordinary business, industrial, personal, and/or household applications only. The Products are not designed, intended, or authorized for use as components in systems designed or intended for the operation of weapons, weapons systems, nuclear installations, atomic energy control instruments, combustion control instruments, airplane or spaceship instruments, traffic signal instruments, life-support devices or systems, other medical devices or systems (including resuscitation equipment and surgical implants), pollution control or hazardous substances management, or other uses where the failure of the device or Product could cause personal injury, death, property or environmental damage ("Unintended Uses"). Customers shall take any and all actions to ensure using and selling the Products in accordance with the applicable laws and regulations. The Company is not liable, in whole or in part, and customers shall and hereby do release the Company as well as its suppliers and/or distributors from any claim, damage, or other liability arising from or related to all Unintended Uses of the Products. Customers shall indemnify and hold the Company as well as its suppliers and/or distributors harmless from and against all claims, costs, damages, and other liabilities, including claims for personal injury or death, arising from or related to any Unintended Uses of the Products. Customers shall discard the device according to the local environmental law.

Information in this document is provided solely in connection with the Products. The Company reserves the right to make changes, corrections, modifications or improvements to this document and the Products and services described herein at any time, without notice.